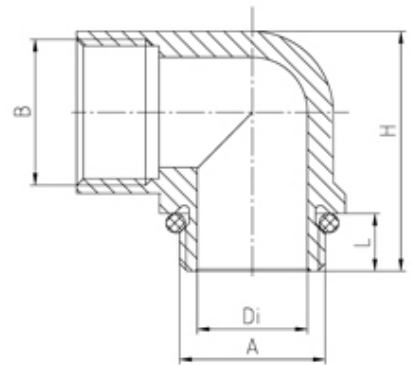




Elbow Glands

Range: Cable Glands/Grommets

Order Code: 21.029 L



DESCRIPTION

Elbow cable gland Pg 29 thread length 15.8

*Subject to technical modification without notice.
Typographical and other errors do not justify claim for damages.*

SPECIFICATION

Product Type	Standard
Body Material	Zinc die-cast
Min Temperature Rating °C	-20
Max Temperature Rating °C	100
Thread Size	PG29
External Connecting Thread Type	Pg 29
Thread Length (mm)	15.8
Interior Diameter (mm)	32
Height (mm)	59.8
Connecting Thread Size	Pg 29
Additional Material Detail	Nitrile rubber