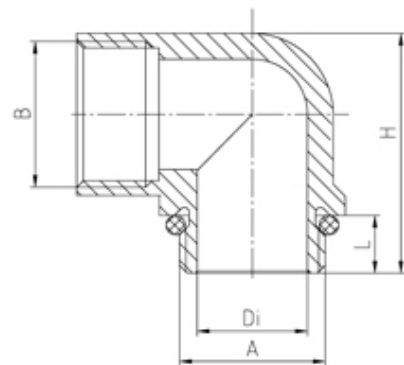


Elbow Glands

Range: Cable Glands/Grommets

Order Code: 21.029



DESCRIPTION

Elbow cable gland PG29 short thread length 8

Subject to technical modification without notice.

Typographical and other errors do not justify claim for damages.

SPECIFICATION

Product Type	Standard
Body Material	Zinc die-cast
Min Temperature Rating °C	-20
Max Temperature Rating °C	100
Thread Size	PG29
External Connecting Thread Type	Pg 29
Thread Length (mm)	8
Interior Diameter (mm)	32
Height (mm)	52
Connecting Thread Size	Pg 29
Additional Material Detail	Nitrile rubber