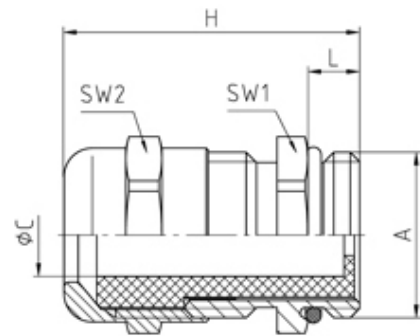




Nickel Plated Brass PG Cable Glands

Range: Cable Glands/Grommets

Part Number: 18090508



DESCRIPTION

Uni-Dicht cable gland PG9 thread length 6 min/max cable dia 5-8

*Subject to technical modification without notice.
Typographical and other errors do not justify claim for damages.*

SPECIFICATION

Product Type	Standard
Body Material	Nickel Plated Brass
Min Temperature Rating °C	-20
Max Temperature Rating °C	100
IP Rating	65
Thread Size	PG9
Clamping Range Min (mm)	5
Clamping Range Max (mm)	8
External Connecting Thread Type	PG
Thread Length (mm)	6
Sealing Insert	PVC, colour coded
Width Across Flat 1 (mm)	17
Width Across Flat 2 (mm)	17
Height (mm)	25.5
Connecting Thread Size	Pg 9
Additional Material Detail	Body - Brass CuZn39Pb3 nickel plated, O-Ring - Nitrile rubber