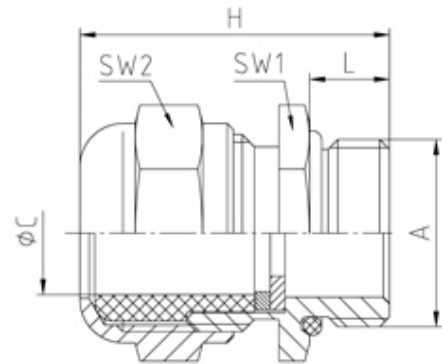




Nickel Plated Brass PG Cable Glands

Range: Cable Glands/Grommets

Order Code: 101680



DESCRIPTION

Wadi EMC cable gland PG16 thread length 8, min/max cable dia 11-15 sealing insert material Polychloroprene-Nitrile rubber CR/NBR

*Subject to technical modification without notice.
Typographical and other errors do not justify claim for damages.*

SPECIFICATION

Product Type	Standard
Body Material	Nickel Plated Brass
Min Temperature Rating °C	-30
Max Temperature Rating °C	110
IP Rating	68
Thread Size	PG16
Clamping Range Min (mm)	11
Clamping Range Max (mm)	15
External Connecting Thread Type	PG
Thread Length (mm)	8
Sealing Insert	Polychloroprene-Nitrile rubber CR/NBR
Width Across Flat 1 (mm)	24
Width Across Flat 2 (mm)	24
Height (mm)	31
Connecting Thread Size	Pg 16
Additional Material Detail	Body - Brass CuZn39Pb3 nickel plated, O-Ring - Nitrile rubber