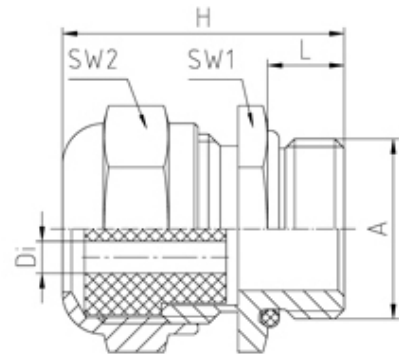




Nickel Plated Brass PG Cable Glands

Range: Cable Glands/Grommets

Order Code: GCG-WMN-PG13-NP (121513)



DESCRIPTION

Wadi cable gland with multi hole insert PG13 thread length 6 sealing insert material Evoprene TPE

*Subject to technical modification without notice.
Typographical and other errors do not justify claim for damages.*

SPECIFICATION

Product Type	Standard
Body Material	Nickel Plated Brass
Min Temperature Rating °C	-30
Max Temperature Rating °C	100
IP Rating	65
Thread Size	PG13.5
External Connecting Thread Type	PG
Thread Length (mm)	6
Sealing Insert	Evoprene TPE
Interior Diameter (mm)	2x8
Width Across Flat 1 (mm)	24
Width Across Flat 2 (mm)	24
Height (mm)	27
Connecting Thread Size	Pg 13.5
Additional Material Detail	Body - Brass CuZn39Pb3 nickel plated, O-Ring - Nitrile rubber