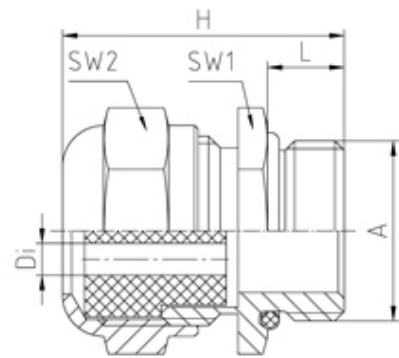




# Nickel Plated Brass PG Cable Glands

Range: Cable Glands/Grommets

Order Code: GCG-WMM-PG13-NP (121313)



## DESCRIPTION

Wadi cable gland with multi hole insert PG13 thread length 6 sealing insert material Evoprene TPE

*Subject to technical modification without notice.  
Typographical and other errors do not justify claim for damages.*

## SPECIFICATION

<b>Product Type</b>	Standard
<b>Body Material</b>	Nickel Plated Brass
<b>Min Temperature Rating °C</b>	-30
<b>Max Temperature Rating °C</b>	100
<b>IP Rating</b>	65
<b>Thread Size</b>	PG13.5
<b>External Connecting Thread Type</b>	PG
<b>Thread Length (mm)</b>	6
<b>Sealing Insert</b>	Evoprene TPE
<b>Interior Diameter (mm)</b>	2x5.2
<b>Width Across Flat 1 (mm)</b>	24
<b>Width Across Flat 2 (mm)</b>	24
<b>Height (mm)</b>	27
<b>Connecting Thread Size</b>	Pg 13.5
<b>Additional Material Detail</b>	Body - Brass CuZn39Pb3 nickel plated, O-Ring - Nitrile rubber