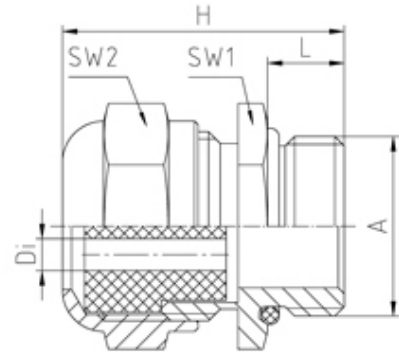


121311

Wadi cable gland with multi hole insert PG11 thread length 6 sealing insert material Evoprene TPE



SPECIFICATION

Product Type	Standard
Body Material	Nickel Plated Brass
Min Temperature Rating °C	-30
Max Temperature Rating °C	100
IP Rating	65
Thread Size	PG11
External Connecting Thread Type	PG
Thread Length (mm)	6
Sealing Insert	Evoprene TPE
Interior Diameter (mm)	2x5.2
Width Across Flat 1 (mm)	22
Width Across Flat 2 (mm)	22
Height (mm)	26.5
Connecting Thread Size	Pg 11
Additional Material Detail	Body - Brass CuZn39Pb3 nickel plated, O-Ring - Nitrile rubber