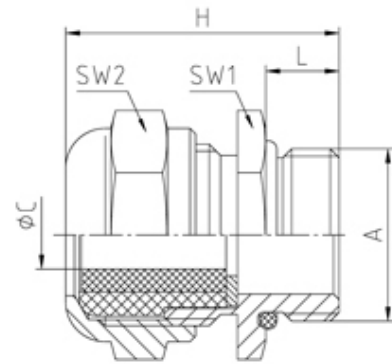
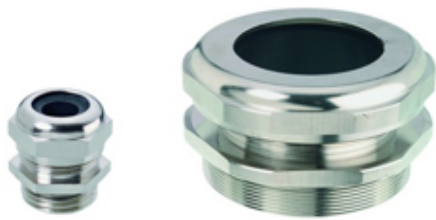




Nickel Plated Brass PG Cable Glands

Range: Cable Glands/Grommets

Order Code: 101086



DESCRIPTION

Wadi cable gland G 2 1/2 thread length 18, min/max cable dia 53-60 sealing insert material Polychloroprene-Nitrile rubber CR/NBR

Subject to technical modification without notice.

Typographical and other errors do not justify claim for damages.

SPECIFICATION

Product Type	Standard
Body Material	Nickel Plated Brass
Min Temperature Rating °C	-30
Max Temperature Rating °C	110
IP Rating	65
Thread Size	G 2 1/2
Clamping Range Min (mm)	53
Clamping Range Max (mm)	60
External Connecting Thread Type	PG
Thread Length (mm)	18
Sealing Insert	Polychloroprene-Nitrile rubber CR/NBR
Washer Material	Brass, nickel-plated
Width Across Flat 1 (mm)	90
Width Across Flat 2 (mm)	90
Height (mm)	60.5
Connecting Thread Size	G 2 1/2
Additional Material Detail	Body - Brass CuZn39Pb3 nickel plated, O-Ring - Nitrile rubber