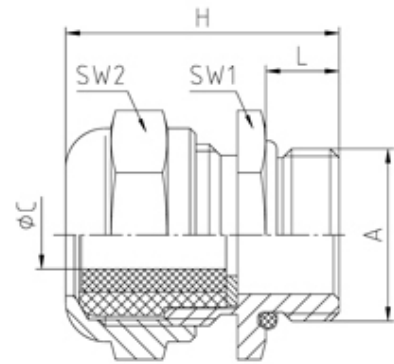




# Nickel Plated Brass PG Cable Glands

Range: Cable Glands/Grommets

Order Code: 111116



## DESCRIPTION

Wadi cable gland PG 16 thread length 10, min/max cable dia 8-15 sealing insert material Polychloroprene-Nitrile rubber CR/NBR

*Subject to technical modification without notice.*

*Typographical and other errors do not justify claim for damages.*

## SPECIFICATION

<b>Product Type</b>	Standard
<b>Body Material</b>	Nickel Plated Brass
<b>Min Temperature Rating °C</b>	-30
<b>Max Temperature Rating °C</b>	110
<b>IP Rating</b>	65
<b>Thread Size</b>	PG16
<b>Clamping Range Min (mm)</b>	8
<b>Clamping Range Max (mm)</b>	15
<b>External Connecting Thread Type</b>	PG
<b>Thread Length (mm)</b>	10
<b>Sealing Insert</b>	Polychloroprene-Nitrile rubber CR/NBR
<b>Washer Material</b>	Brass, nickel-plated
<b>Width Across Flat 1 (mm)</b>	24
<b>Width Across Flat 2 (mm)</b>	24
<b>Height (mm)</b>	31.5
<b>Connecting Thread Size</b>	Pg 16
<b>Additional Material Detail</b>	Body - Brass CuZn39Pb3 nickel plated, O-Ring - Nitrile rubber