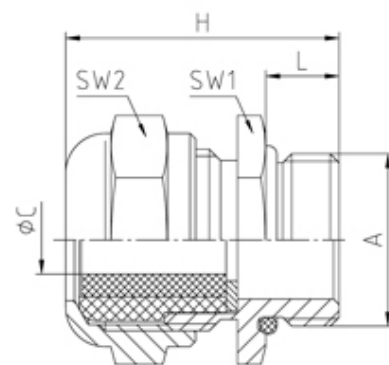




Nickel Plated Brass PG Cable Glands

Range: Cable Glands/Grommets

Order Code: GCG-WPS-PG42-NP (101042)



DESCRIPTION

Wadi cable gland PG 42 thread length 10, min/max cable dia 38-44.5 sealing insert material Polychloroprene-Nitrile rubber CR/NBR

Subject to technical modification without notice.

Typographical and other errors do not justify claim for damages.

SPECIFICATION

| | |
|--|---|
| Product Type | Standard |
| Body Material | Nickel Plated Brass |
| Min Temperature Rating °C | -30 |
| Max Temperature Rating °C | 110 |
| IP Rating | 65 |
| Thread Size | PG42 |
| Clamping Range Min (mm) | 38 |
| Clamping Range Max (mm) | 44.5 |
| External Connecting Thread Type | PG |
| Thread Length (mm) | 10 |
| Sealing Insert | Polychloroprene-Nitrile rubber CR/NBR |
| Washer Material | Brass, nickel-plated |
| Width Across Flat 1 (mm) | 58 |
| Width Across Flat 2 (mm) | 58 |
| Height (mm) | 40 |
| Connecting Thread Size | Pg 42 |
| Additional Material Detail | Body - Brass CuZn39Pb3 nickel plated, O-Ring - Nitrile rubber |