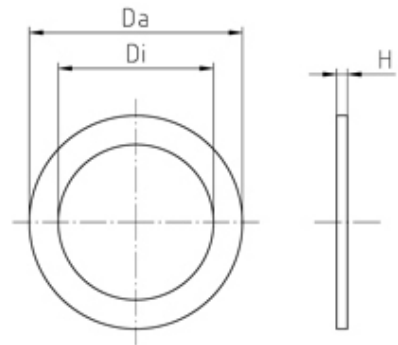




Inserts/Accessories

Range: Cable Glands/Grommets

Part Number: DM320/13.5



DESCRIPTION

Washer, material - steel, zinc-plated Internal dia Ext. Dia 18

*Subject to technical modification without notice.
Typographical and other errors do not justify claim for damages.*

SPECIFICATION

Product Type	Standard
Hole Diameter (mm)	13.5
Thread Size	M20
External Diameter (mm)	18
Washer Material	Steel, zinc-plated
Comments	assembled in series: 63MxxUG, 08xxUG, 21.7xxM, 21.7xxPAzzzz
Height (mm)	0.8