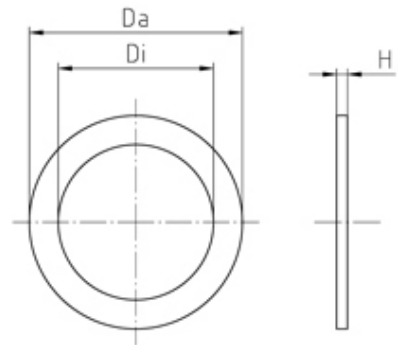




Inserts/Accessories

Range: Cable Glands/Grommets

Part Number: DM316/10.5



DESCRIPTION

Washer, material - steel, zinc-plated Internal dia Ext. Dia 14

Subject to technical modification without notice.

Typographical and other errors do not justify claim for damages.

SPECIFICATION

| | |
|-------------------------------|---|
| Product Type | Standard |
| Hole Diameter (mm) | 10.5 |
| Thread Size | M16 |
| External Diameter (mm) | 14 |
| Washer Material | Steel, zinc-plated |
| Comments | assembled in series: 63MxxUG, 08xxUG, 21.7xxM, 21.7xxPAzzzz |
| Height (mm) | 0.8 |