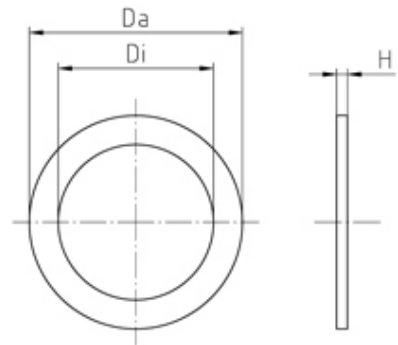




# Inserts/Accessories

## Range: Cable Glands/Grommets

Part Number: FD-M50



### DESCRIPTION

Sealing ring, for connecting thread, material - Chloroprene rubber CR Internal dia 48.2 Ext. Dia 55.5

*Subject to technical modification without notice.*

*Typographical and other errors do not justify claim for damages.*

## SPECIFICATION

<b>Product Type</b>	Standard
<b>Min Temperature Rating °C</b>	-30
<b>Max Temperature Rating °C</b>	100
<b>Thread Size</b>	M50
<b>External Diameter (mm)</b>	55.5
<b>Interior Diameter (mm)</b>	48.2
<b>Sealing Ring for Connection Thread</b>	Chloroprene rubber CR
<b>Comments</b>	assembled o-ring enables higher protection grades
<b>Height (mm)</b>	1