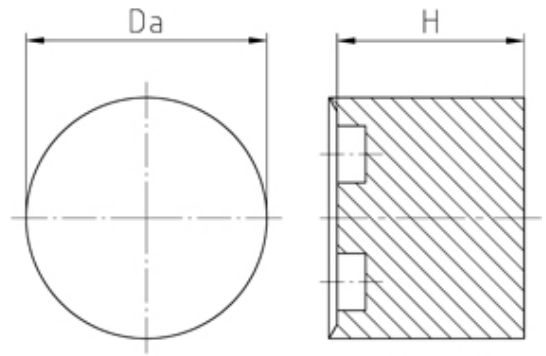




Inserts/Accessories

Range: Cable Glands/Grommets

Part Number: WJ-DM 12 ST0



DESCRIPTION

Sealing insert, Internal dia Ext. Dia 8.5

*Subject to technical modification without notice.
Typographical and other errors do not justify claim for damages.*

SPECIFICATION

Product Type	Standard
Min Temperature Rating °C	-30
Max Temperature Rating °C	100
Thread Size	M12
External Diameter (mm)	8.5
Sealing Insert	Evoprene TPE
Comments	assembled in PERFECT series: 50.6xx M/STO, 50.6xx Pazzzz/STO
Height (mm)	6.6