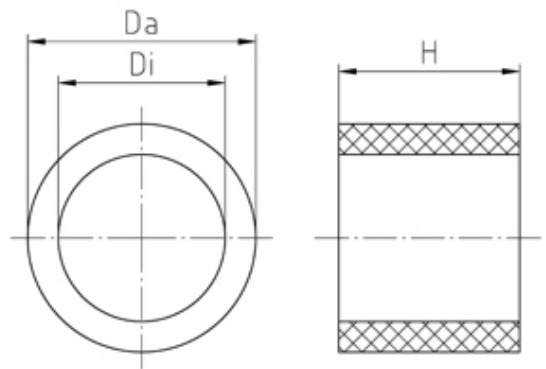
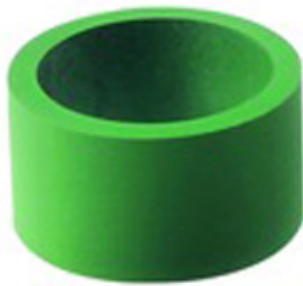




Inserts/Accessories

Range: Cable Glands/Grommets

Part Number: WJ-DM 20V



DESCRIPTION

Sealing ring, material - Fluorine rubber FKM (Viton) Internal dia 13 Ext. Dia 15.5

Subject to technical modification without notice.

Typographical and other errors do not justify claim for damages.

SPECIFICATION

Product Type	Standard
Sealing Ring Material	Fluorine rubber FKM (Viton)
Min Temperature Rating °C	-18
Max Temperature Rating °C	200
Thread Size	M20
External Diameter (mm)	15.5
Interior Diameter (mm)	13
Comments	Table 1 - assembled in PERFECT series: 50.6xx M, 50.6xx/xx M, 50.6xx M/V, 50.6xx M/EMV, 50.6xx Pazzz
Height (mm)	7.5