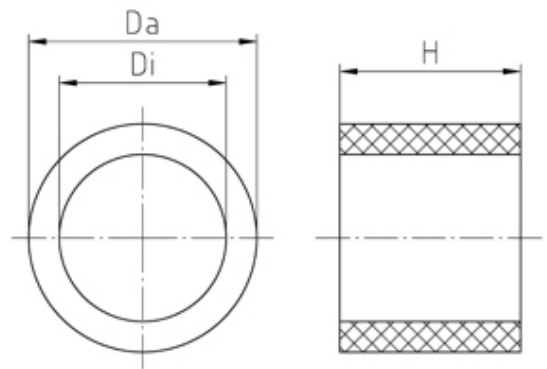




Inserts/Accessories

Range: Cable Glands/Grommets

Part Number: WJ-D 36



DESCRIPTION

Sealing ring, material - Polychloroprene-Nitrile rubber CR/NBR Internal dia 34.3 Ext. Dia 40.3

Subject to technical modification without notice.

Typographical and other errors do not justify claim for damages.

SPECIFICATION

| | |
|----------------------------------|--|
| Product Type | Standard |
| Sealing Ring Material | Polychloroprene-Nitrile rubber CR/NBR |
| Min Temperature Rating °C | -20 |
| Max Temperature Rating °C | 100 |
| Thread Size | PG36 |
| External Diameter (mm) | 40.3 |
| Interior Diameter (mm) | 34.3 |
| Comments | Table 1 - assembled in PERFECT series: 50.6xx M, 50.6xx/xx M, 50.6xx M/V, 50.6xx M/EMV, 50.6xx Pazzz |
| Height (mm) | 17.5 |