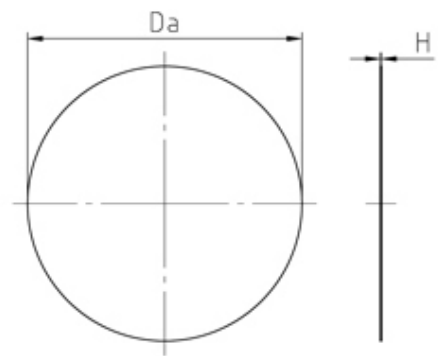




Dust Caps

Range: Cable Glands/Grommets

Part Number: M16 S-B



DESCRIPTION

Dust cap height 0.25 Ext. Dia. 15.5

*Subject to technical modification without notice.
Typographical and other errors do not justify claim for damages.*

SPECIFICATION

Product Type	Standard
Body Material	Polyethylene
Min Temperature Rating °C	-30
Max Temperature Rating °C	90
Thread Size	M16
External Diameter (mm)	15.5
Height (mm)	0.25
Additional Material Detail	Body - Polyethylene PE-LD