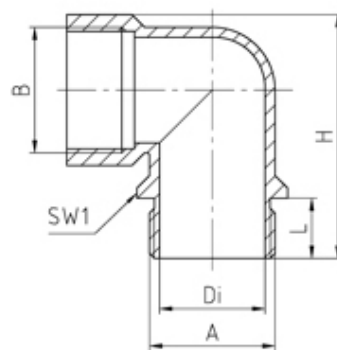


Elbow Glands

Range: Cable Glands/Grommets

Order Code: GCG-EMM-M32-GL (21.732PA7035)



DESCRIPTION

Elbow cable gland PA7035 M32 thread length 14 min/max cable dia 14-20

Subject to technical modification without notice.

Typographical and other errors do not justify claim for damages.

SPECIFICATION

Product Type	Standard
Sealing Ring Material	SBR/NBR, multiple perforation
Body Material	Polyamide
Min Temperature Rating °C	-20
Max Temperature Rating °C	100
Colour	Light Grey - RAL 7035
Thread Size	M32
Clamping Range Min (mm)	14
Clamping Range Max (mm)	20
Thread Length (mm)	14
Width Across Flat 2 (mm)	32
Height (mm)	57.5
Connecting Thread Size	M32x1.5
Additional Material Detail	Body - Polyamide PA6 GF30, Washers - Steel, zinc-plated