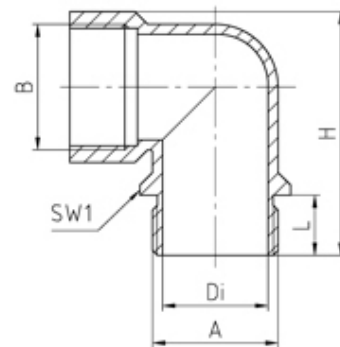




Elbow Glands

Range: Cable Glands/Grommets

Order Code: GCG-EMM-M25-GL (21.725PA7035)



DESCRIPTION

Elbow cable gland PA7035 M25 thread length 12 min/max cable dia 8.5-15

*Subject to technical modification without notice.
Typographical and other errors do not justify claim for damages.*

SPECIFICATION

Product Type	Standard
Sealing Ring Material	SBR/NBR, multiple perforation
Body Material	Polyamide
Min Temperature Rating °C	-20
Max Temperature Rating °C	100
Colour	Light Grey - RAL 7035
Thread Size	M25
Clamping Range Min (mm)	8.5
Clamping Range Max (mm)	15
Thread Length (mm)	12
Width Across Flat 2 (mm)	25
Height (mm)	48.5
Connecting Thread Size	M25x1.5
Additional Material Detail	Body - Polyamide PA6 GF30, Washers - Steel, zinc-plated