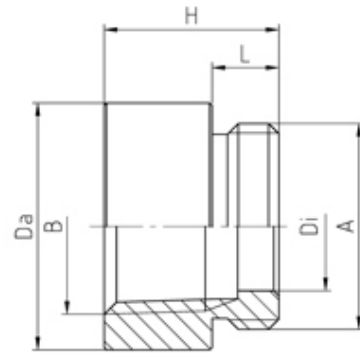




Metric/NPT Adapters

Range: Cable Glands/Grommets

Order Code: M32NPT1



DESCRIPTION

Adapter M32/NPT1 thread length 8 M32x1.5 Body - Brass CuZn39Pb3 nickel plated

*Subject to technical modification without notice.
Typographical and other errors do not justify claim for damages.*

SPECIFICATION

Product Type	Standard
Body Material	Nickel Plated Brass
Max Temperature Rating °C	200
IP Rating	dependent on the combination with other components
Hole Diameter (mm)	27
Thread Size	M32-NPT 1
External Connecting Thread Type	NPT 1"
Internal Connecting Thread Type	NPT
Thread Length (mm)	8
External Diameter (mm)	38
Height (mm)	33
Connecting Thread Size	M32x1.5
Additional Material Detail	Body - Brass CuZn39Pb3 nickel plated