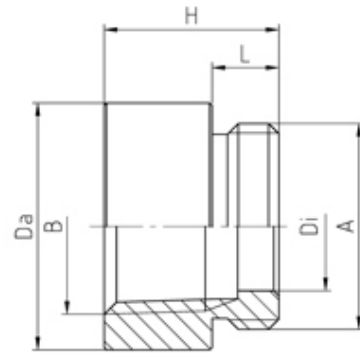




Metric/NPT Adapters

Range: Cable Glands/Grommets

Order Code: M16NPT1/2



DESCRIPTION

Adapter M16/NPT1/2 thread length 6.5 M16x1.5 Body - Brass CuZn39Pb3 nickel plated

*Subject to technical modification without notice.
Typographical and other errors do not justify claim for damages.*

SPECIFICATION

Product Type	Standard
Body Material	Nickel Plated Brass
Max Temperature Rating °C	200
IP Rating	dependent on the combination with other components
Hole Diameter (mm)	11
Thread Size	M16-NPT 1/2
External Connecting Thread Type	NPT 1/2"
Internal Connecting Thread Type	NPT
Thread Length (mm)	6.5
External Diameter (mm)	24
Height (mm)	25
Connecting Thread Size	M16x1.5
Additional Material Detail	Body - Brass CuZn39Pb3 nickel plated