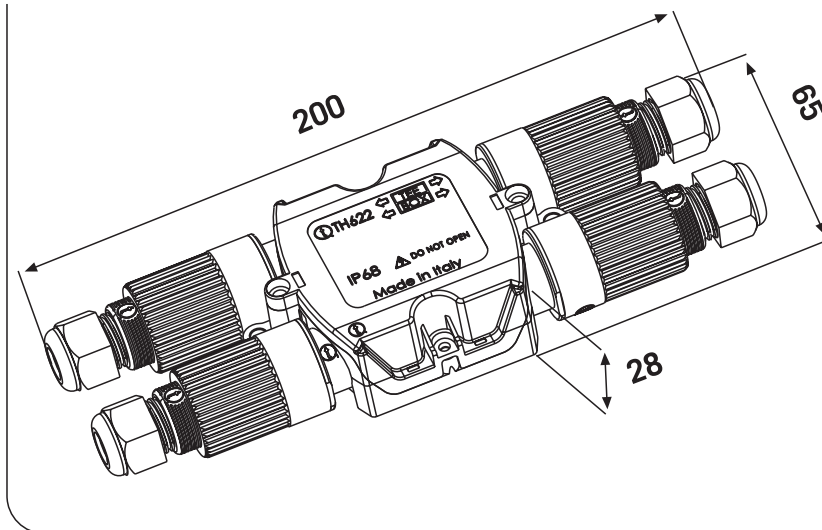




TH622

IP66
IP68

2-3
Poli



Distributore di corrente MAX 10 A, con 1 entrata e fino a 3 uscite. Facilità d'utilizzo. Connessione a bussola o pin a crimpare oppure ibrida pin/bussola.

Current distributor MAX 10 A, with one input and up to 3 outputs. Easy use. Pin crimp or bush connection, or hybrid pin crimp/bush.

Dati tecnici - Technical data

IP66

IP68 5 MT

MAX 10 AMP
INPUT 10 AMP
OUT 1+OUT 2+OUT 3 = 10 AMP

Materie prime - Raw materials

Materia plastica - Plastic

■ Nero - Black } PA66 UL94
□ Grigio - Grey } V2 GWT 850°C
RAL 7035

-20°C

+125°C

Connessioni - Connection

Vedi scheda TH 384
See TH384 data sheet

Gomme - Rubbers

SILICONE - SEBS - TPE V



Vite 3 x 12 INOX ANTISVITAMENTO
Screw 3 x 12 STAINLESS STEEL ANTISCREW

Cavi interni - Inner cables

Cablaggio interno con pin cilindrici universali Ø 2 crimpati su cavi in rame sezione 1° guaina in silicone

Inner wiring with universal cylindrical pins crimped on 1° section copper cables. Silicon protective covering.

Pin- Crimp



> Per pin cilindrici universali Ø 2



> For universal cylindrical pin Ø 2

Norme - Standards

EN 61984:2001

EN 60529:1991+A1:2000



Codice - Part number

T H H . 6 2 2 . L X X

2
Poli

Connessione serracavo Ø 9,5 mm, aggancio a ghiera

Connection with cable clamp max Ø 9,5 mm cable, screwing clamp



THH.622.L2A

Nero - Black

THH.622.L2B

Grigio - Grey RAL 7035

THH.622.L2A.AG

Nero - Black

THH.622.L2B.AG

Grigio - Grey RAL 7035

AG= Ottone Argentato - Silverplated brass

THF.622.L2A

Nero - Black

THF.622.L2B

Grigio - Grey RAL 7035

Connessione
Connection



MALE-PLUG THB.384

3 Uscite-Output



FEMALE-SOCKET (POWER) THB.384

1 Entrata-Input

Connessione
Connection



MALE-PLUG THF.384

3 Uscite-Output



FEMALE-SOCKET (POWER) THF.384

1 Entrata-Input

3
Poli

Connessione serracavo Ø 9,5 mm, aggancio a ghiera

Connection with cable clamp max Ø 9,5 mm cable, screwing clamp



THH.622.L3A

Nero - Black

THH.622.L3B

Grigio - Grey RAL 7035

THH.622.L3A.AG

Nero - Black

THH.622.L3B.AG

Grigio - Grey RAL 7035

AG= Ottone Argentato - Silverplated brass

THF.622.L3A

Nero - Black

THF.622.L3B

Grigio - Grey RAL 7035

Connessione
Connection



MALE-PLUG THB.384

3 Uscite-Output



FEMALE-SOCKET (POWER) THB.384

1 Entrata-Input

Connessione
Connection



MALE-PLUG THF.384

3 Uscite-Output



FEMALE-SOCKET (POWER) THF.384

1 Entrata-Input

Eventuali modifiche e migliori sui dati tecnici o sul prodotto potranno essere effettuate senza preavviso.

All technical data or other eventual product modifications and improvements can be carried out without notice

Kit di fornitura non assemblato THH-F Unassembled kit THH-F

THX.622.LXX.XX 50 PZ

Scelta delle versioni - Versions choise

Bussole - Insert

		150 PZ
		50 PZ

Pin - crimp

		150 PZ
		50 PZ

TH 384 200 PZ

Kit di fornitura assemblato THZ Assembled kit THZ

THZ.622.LXX.XX

50 PZ

Kit di fornitura imbustati THR Fare riferimento a catalogo THR Retail packed kit THR Please refer to THR Retail Catalogue

THR.622.SXX.XX

30 CONF

1 CONF
1 PZ

Kit di fornitura con versionamenti e confezionamenti speciali THK Special custom packed version THK

THK.622.XXX

PZ

Accessori per il fissaggio - Fixing accessories

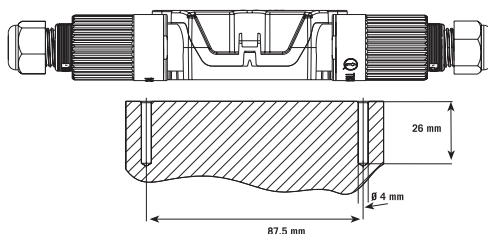
601000500
Ø 2.95 x 25 mm



604000100
Ø 4 x 20 mm



Schema di fissaggio - Fixing scheme



Ghiera cieca con cinturino
Blind ring with silicone belt
6DB00200C Nero - Black
6DB00200E Grigio - Grey 7035



Ghiera cieca
Blind ring
6000183C Nero - Black
6000183E Grigio - Grey 7035

ABOUT US

Hylec-APL is a well established Component Distributor specialising in the bulk supply of Terminal Blocks, Connectors and Cable Glands to major OEM's, Sub-Contractor Manufacturers and leading Distribution organisations into both the Electromechanical and the Electronics sectors.

Hylec APL can provide a wide range of product options and application solutions including access to many thousands of line items from its extensive and largely exclusive supplier base. Hylec APL maintains a large UK stock profile at its base in Northants, which is geared to reflect popular market demand whilst offering enhanced product availability to its many customers.

In addition to its core product lines of Terminal Blocks and Connectors – both Electromechanical and Electronic variants - Cable Glands and Cable entry components, Hylec APL has recently extended its range to include LED's, Switches, Buzzers, Relays, Fuses and DIN Rail Mounting Enclosures. This evolutionary development is designed to not only widen market appeal but also to provide the customer with greater choice, the potential for supplier consolidation and the commercial benefits of economies of scale.

Subject to availability, delivery methods include next day carrier as standard and customer specific options, such as special packaging requirements, can be readily considered.

Product choice is supported by a wealth of product knowledge and application experience, and our technical sales team will be only too pleased to assist in the process of correct product selection.

The vast majority of products hold recognised Industrial Safety Approvals and these together with samples can be supplied upon request.

Value for money consistent with the supply of the highest possible quality of products and service is our number one priority.



APL

Hylec Components Ltd - Andromeda Products Ltd

T: +44 (0)1933 234400 ■ F: +44 (0)1933 234411
E: sales@hylec-apl.com ■ W: www.hylec-apl.com



MAKING THE RIGHT CONNECTIONS