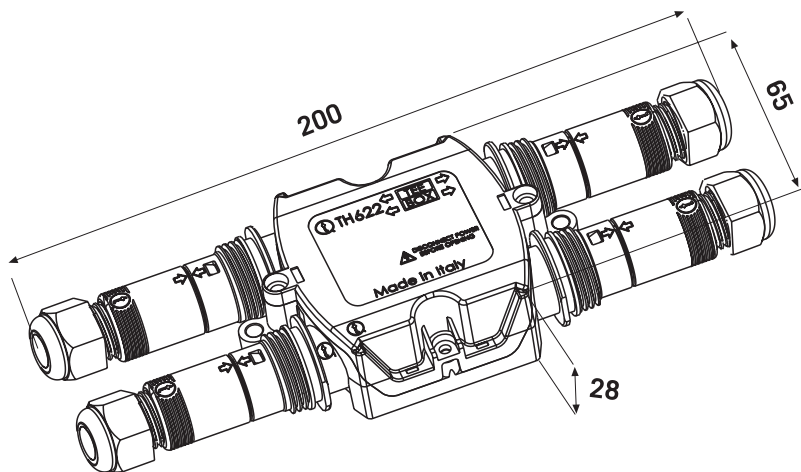




# TH622

## 3 Poli



Distributore di corrente MAX 10 A, con 1 entrata e fino a 3 uscite. Facilità d'utilizzo. Connessione a bussola o pin a crimpare oppure ibrida pin/bussola.

Current distributor MAX 10 A, with one input and up to 3 outputs. Easy use. Pin crimp or bush connection, or hybrid pin crimp/bush.

### Dati tecnici - Technical data

IP20    IP40    IP54

MAX 10 AMP  
INPUT 10 AMP  
OUT 1+OUT 2+OUT 3 = 10 AMP

### Materie prime - Raw materials

#### Materia plastica - Plastic

■ Nero - Black	} PA66 UL94	-20°C
□ Grigio - Grey RAL 7035		
} V2 GWT 850°C		+125°C

#### Connessioni - Connection

Vedi schede TH 380 - TH382 - TH 384  
See TH 380 - TH382 - TH384 data sheets

#### Gomme - Rubbers

SEBS - TPE V



#### Cavi interni - Inner cables

Cablaggio interno con pin cilindrici universali Ø 2 crimpati su cavi in rame sezione 1<sup>a</sup> guaina in silicone

Inner wiring with universal cylindrical pins crimped on 1<sup>a</sup> section copper cables. Silicon protective covering.

#### Pin- Crimp

- > Per pin cilindrici universali Ø 2
- > For universal cylindrical pin Ø 2

### Norme - Standards

EN 61984:2001  
EN 60529:1991+A1:2000



### Codice - Part number

THH.622.X3X

**IP20** Connessione senza serracavo, aggancio a clip  
Connection without cable clamp, clip clamping



- |   |                        |                             |  |                               |
|---|------------------------|-----------------------------|--|-------------------------------|
| THH.622.A3A                               | Nero - Black           | } Connessione<br>Connection |  | MALE-PLUG THB.380             |
| THH.622.A3B                               | Grigio - Grey RAL 7035 |                             |  | 3 Uscite-Output               |
| THH.622.A3A.AG                            | Nero - Black           |                             |  | FEMALE-SOCKET (POWER) THB.380 |
| THH.622.A3B.AG                            | Grigio - Grey RAL 7035 |                             |  | 1 Entrata-Input               |
| AG= Ottone Argentato - Silverplated brass |                        |                             |  | MALE-PLUG THF.380             |
| THF.622.A3A                               | Nero - Black           | } Connessione<br>Connection |  | 3 Uscite-Output               |
| THF.622.A3B                               | Grigio - Grey RAL 7035 |                             |  | FEMALE-SOCKET (POWER) THF.380 |
|   |                        |                             |  | 1 Entrata-Input               |

**IP40** Connessione con serracavo max Ø cavo 9,5 mm, aggancio a clip  
Connection with cable clamp max Ø 9,5 mm cable, clip clamping



- |   |                        |                             |  |                               |
|---|------------------------|-----------------------------|--|-------------------------------|
| THH.622.B3A                               | Nero - Black           | } Connessione<br>Connection |  | MALE-PLUG THB.382             |
| THH.622.B3B                               | Grigio - Grey RAL 7035 |                             |  | 3 Uscite-Output               |
| THH.622.B3A.AG                            | Nero - Black           |                             |  | FEMALE-SOCKET (POWER) THB.382 |
| THH.622.B3B.AG                            | Grigio - Grey RAL 7035 |                             |  | 1 Entrata-Input               |
| AG= Ottone Argentato - Silverplated brass |                        |                             |  | MALE-PLUG THF.382             |
| THF.622.B3A                               | Nero - Black           | } Connessione<br>Connection |  | 3 Uscite-Output               |
| THF.622.B3B                               | Grigio - Grey RAL 7035 |                             |  | FEMALE-SOCKET (POWER) THF.382 |
|   |                        |                             |  | 1 Entrata-Input               |

Eventuali modifiche e migliori sui dati tecnici o sul prodotto potranno essere effettuate senza preavviso.  
All technical data or other eventual product modifications and improvements can be carried out without notice

**IP54** Connessione serracavo Ø 9,5 mm, aggancio a ghiera  
 Connection with cable clamp max Ø 9,5 mm cable, screwing clamp

← 200 mm CHIUSA - CLOSE →

**OUTPUT**      **INPUT** ⚡

**OUTPUT**      **OUTPUT**

<b>THH.622.C3A</b> Nero - Black	} <b>Connessione Connection</b>	<b>MALE-PLUG THB.384</b>
<b>THH.622.C3B</b> Grigio - Grey RAL 7035		3 Uscite-Output
<b>THH.622.C3A.AG</b> Nero - Black		<b>FEMALE-SOCKET (POWER) THB.384</b>
<b>THH.622.C3B.AG</b> Grigio - Grey RAL 7035		1 Entrata-Input
<b>AG=</b> Ottone Argentato - Silverplated brass		
<b>THF.622.C3A</b> Nero - Black	} <b>Connessione Connection</b>	<b>MALE-PLUG THF.384</b>
<b>THF.622.C3B</b> Grigio - Grey RAL 7035		3 Uscite-Output
		<b>FEMALE-SOCKET (POWER) THF.384</b>
		1 Entrata-Input

**Ghiera cieca con cinturino**  
**Blind ring with silicone belt**  
**6DB00200C** Nero - Black  
**6DB00200E** Grigio - Grey 7035

**Ghiera cieca**  
**Blind ring**  
**6000183C** Nero - Black  
**6000183E** Grigio - Grey 7035

**Kit di fornitura non assemblato THH-F**  
**Unassembled kit THH-F**

**THH.622.X3X.XX**      50 PZ

Box: mm390 x mm590 x mm240  
 Unit: mm390 x mm590 x mm240

**Sceita delle versioni - Versions choice**  
**Bussole - Insert**

	150 PZ		200 PZ
	50 PZ		TH380
	150 PZ		TH382
	50 PZ		TH384

**Pin - crimp**

	150 PZ		200 PZ
	50 PZ		

**Kit di fornitura assemblato THZ**  
**Assembled kit THZ**

**THZ.622.X3X.XX**

Box: mm395 x mm395 x mm185  
 Unit: mm395 x mm395 x mm185

50 PZ

**Kit di fornitura imbustati THR**  
**Fare riferimento a catalogo THR**  
**Retail packed kit THR**  
**Please refer to THR Retail Catalogue**

**THR.622.SXX.XX**

Box: mm395 x mm395 x mm185  
 Bag: mm395 x mm395 x mm185

1 CONF  
 1 PZ

**Kit di fornitura con versionamenti e confezionamenti speciali THK**  
**Special custom packed version THK**

**THK.622.XXX**

Box: mm x mm x mm

PZ

**Accessori per il fissaggio - Fixing accessories**

**Schema di fissaggio - Fixing scheme**

**601000500** Ø 2.95 x 25 mm

**604000100** Ø 4 x 20 mm

Dimensions: 87,5 mm, 26 mm, Ø 4 mm

## ABOUT US

Hylec-APL is a well established Component Distributor specialising in the bulk supply of Terminal Blocks, Connectors and Cable Glands to major OEM's, Sub-Contractor Manufacturers and leading Distribution organisations into both the Electromechanical and the Electronics sectors.

Hylec APL can provide a wide range of product options and application solutions including access to many thousands of line items from its extensive and largely exclusive supplier base. Hylec APL maintains a large UK stock profile at its base in Northants, which is geared to reflect popular market demand whilst offering enhanced product availability to its many customers.

In addition to its core product lines of Terminal Blocks and Connectors – both Electromechanical and Electronic variants - Cable Glands and Cable entry components, Hylec APL has recently extended its range to include LED's, Switches, Buzzers, Relays, Fuses and DIN Rail Mounting Enclosures. This evolutionary development is designed to not only widen market appeal but also to provide the customer with greater choice, the potential for supplier consolidation and the commercial benefits of economies of scale.

Subject to availability, delivery methods include next day carrier as standard and customer specific options, such as special packaging requirements, can be readily considered.

Product choice is supported by a wealth of product knowledge and application experience, and our technical sales team will be only too pleased to assist in the process of correct product selection.

The vast majority of products hold recognised Industrial Safety Approvals and these together with samples can be supplied upon request.

Value for money consistent with the supply of the highest possible quality of products and service is our number one priority.



**APL**

Hylec Components Ltd - Andromeda Products Ltd

T: +44 (0)1933 234400 ■ F: +44 (0)1933 234411  
E: sales@hylec-apl.com ■ W: www.hylec-apl.com



**MAKING THE RIGHT CONNECTIONS**