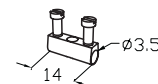
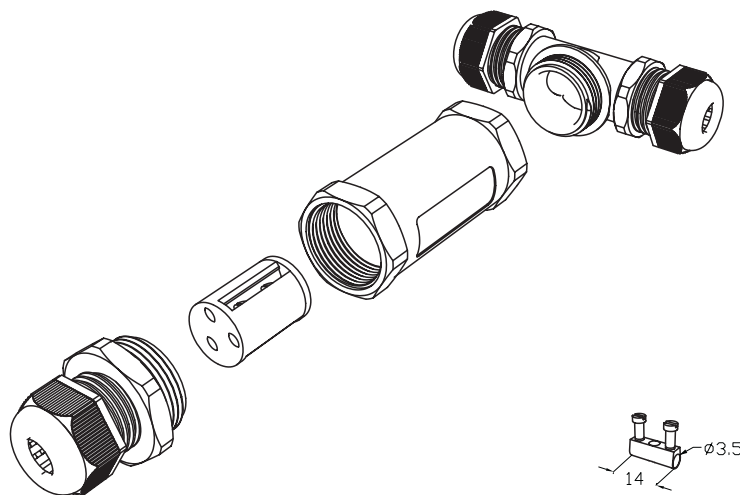




TH402

PATENTED IP68

3 poli



Morsettiera coassiale ad elevato grado IP.

Versione 3 poli. Viti imperdibili.

Kit di fornitura: particolari non assemblati. Canotto + frutto + pressacavo + guarnizione.

Terminal block 3 poles with high IP rate. Captive screw.

Supply kit: items not assembled. Dinghy + modules + cable gland + O ring.

Dati tecnici - Technical data(*)

32A	4 °	IP68(**)
250-450V~	T85° C	2 BAR

Poli - Poles	Cavo - Wire	
	Min.	Max.
3p	3G 1.5mm ²	3G 4mm ²

Coppia torsione Torque force	Tubo-Corpo pressacavo Tube-Cable gland body	Corpo pressacavo-Dado Cable gland body-Nut
3p	2.5 Nm 29	2,5 Nm 24

PA66 UL94 V2 GWT 850°C
PA66GF UL94 VO GWT 960°C

-20°C

■ Nero - Black

+125°C

Ottone nichelato
Nickled brass



Bussola cieca
End barrier insert

1



Bussola STD
STD insert



2



Bussola WP
WP insert

3



(*)

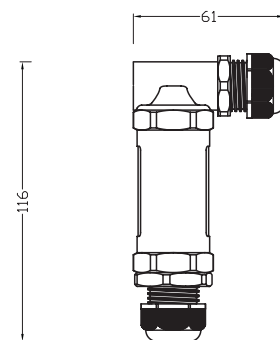
(**) EN60529:1991+A1:2000-
IPX8:20MT-PROOF;60 MIN

(*) EN 60998-1:2004
EN 60998-2-1:2004

Codice - Part number

T H B . 4 0 2 . X X A

Min-Max Ø cavo - cable Ø 5÷13 mm



THB.402.B1A



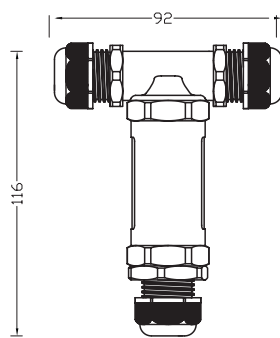
THB.402.B2A



THB.402.B3A



IP68**
450V
2 BAR



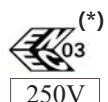
THB.402.C1A



THB.402.C2A



THB.402.C3A



IP68**
250V
2 BAR

Eventuali modifiche e migliorie sui dati tecnici o sul prodotto potranno essere effettuate senza preavviso.

All technical data or other eventual product modifications and improvements can be carried out without notice

Techno S.r.l. - technology & innovation - tel. +39.031.976445 - www.techno.it - info@techno.it

techno



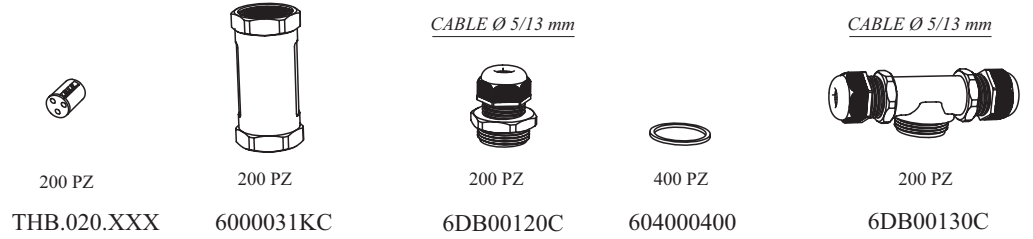
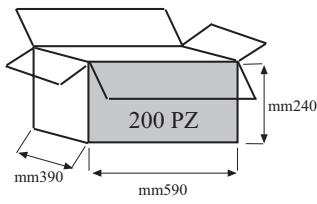
Edizione: GIUGNO 2007

Kit di fornitura non assemblato THB...

Unassembled kit THB...

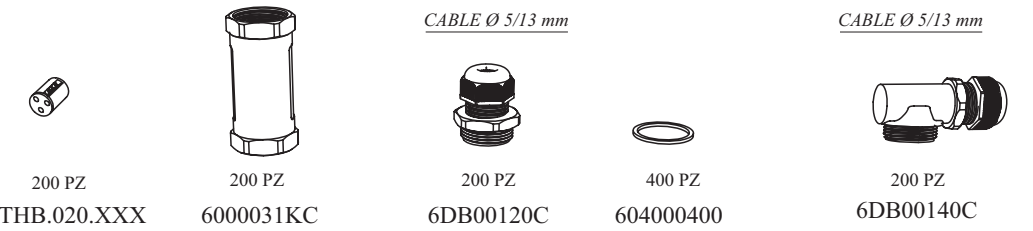
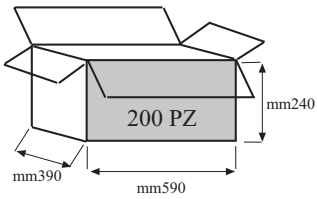
VERSIONE A "T"

"T" VERSION



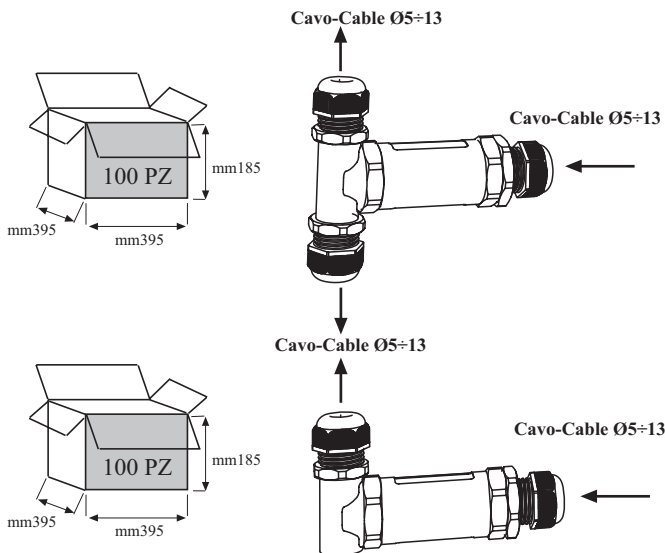
VERSIONE A "L"

"L" VERSION



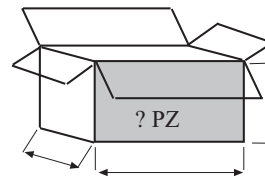
Kit di fornitura assemblato THZ...

Assembled kit THZ...

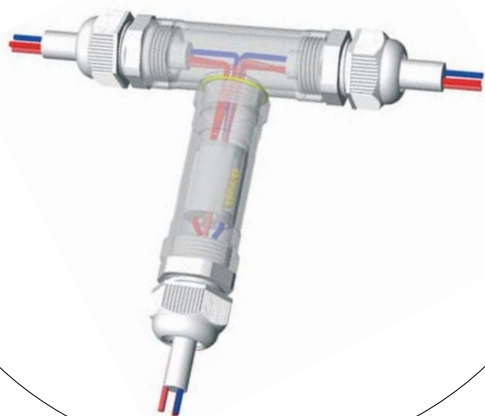


Kit di fornitura con versionamenti e confezionamenti speciali THK...

Special custom packed version THK...



Schema cablaggio - Wiring diagram



Istruzioni di assemblaggio disponibili sul sito www.techno.it
 Instruction sheet available on www.techno.it

ABOUT US

Hylec-APL is a well established Component Distributor specialising in the bulk supply of Terminal Blocks, Connectors and Cable Glands to major OEM's, Sub-Contractor Manufacturers and leading Distribution organisations into both the Electromechanical and the Electronics sectors.

Hylec APL can provide a wide range of product options and application solutions including access to many thousands of line items from its extensive and largely exclusive supplier base. Hylec APL maintains a large UK stock profile at its base in Northants, which is geared to reflect popular market demand whilst offering enhanced product availability to its many customers.

In addition to its core product lines of Terminal Blocks and Connectors – both Electromechanical and Electronic variants - Cable Glands and Cable entry components, Hylec APL has recently extended its range to include LED's, Switches, Buzzers, Relays, Fuses and DIN Rail Mounting Enclosures. This evolutionary development is designed to not only widen market appeal but also to provide the customer with greater choice, the potential for supplier consolidation and the commercial benefits of economies of scale.

Subject to availability, delivery methods include next day carrier as standard and customer specific options, such as special packaging requirements, can be readily considered.

Product choice is supported by a wealth of product knowledge and application experience, and our technical sales team will be only too pleased to assist in the process of correct product selection.

The vast majority of products hold recognised Industrial Safety Approvals and these together with samples can be supplied upon request.

Value for money consistent with the supply of the highest possible quality of products and service is our number one priority.



APL

Hylec Components Ltd - Andromeda Products Ltd

T: +44 (0)1933 234400 ■ F: +44 (0)1933 234411
E: sales@hylec-apl.com ■ W: www.hylec-apl.com



MAKING THE RIGHT CONNECTIONS