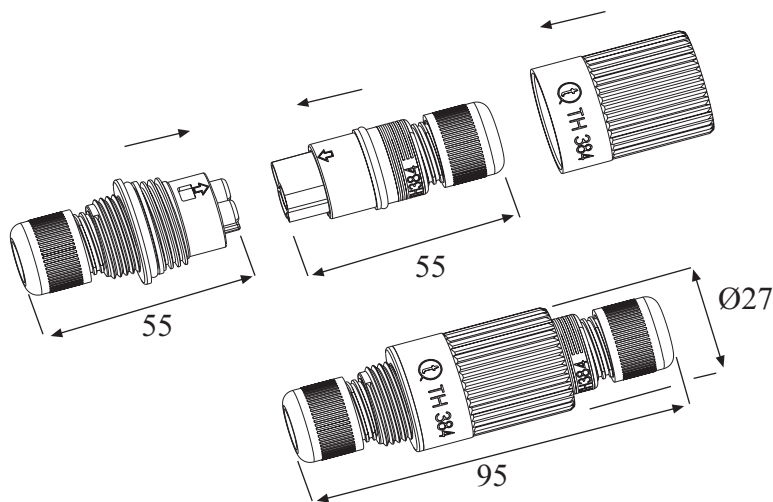




# TH384

PATENTED IP68

## 3 poli



Connessione presa- spina 3 poli. Grado di protezione IP68  
Facilità di cablaggio .Connessione a bussola o faston  
Kit di fornitura: frutti non inseriti

3 poles connection socket-plug .IP67 protection  
Easy wiring. Crimp or bush connection  
Supply kit: modules not inserted

### Dati tecnici - Technical data(\*)

16 A	1,5 <sup>o</sup>	IP68
------	------------------	------

400V	T 85 ° C
------	----------

Materia plastica - Plastic Material  
PA66 UL94 V2 GWT 850°C

	Nero - Black	-20°C
	Grigio - Grey RAL 7035	
		+125°C

	Ottone nichelato Nickled brass	
		Ottone Argentato Silverplated brass
<b>AG=</b>		

Acciaio zincato passivato Zinc passivated steel	
Rated current	16 A
Rated impulse voltage	6 KV
Impulse withstand voltage	7,3 KV
Range of temperature	0 - 125°C
Cable max	3G 1,5 °H07RN-F

### faston

> Solo parte plastica - Plastic part only

- > Per pin cilindrici universali Ø 2
- > For universal cylindric pin Ø 2



\* THB.023..



\*\* IP66-IP68

(\*) EN 61984:2001

(\*\*) EN 60529:1991+A1:2000

IPX6: 5 MT-PROOF ; 3 h

IPX8: 2,5-3 MT ; 3 min



### Codice - Part number

**T H B . 3 8 4 . X 1 X**

frutti intercambiabili - interchangeable modules



PLUG

<b>THB.384.A1A</b>	Nero - Black
<b>THB.384.A1C</b>	Grigio - Grey RAL 7035
<b>THB.384.A1A.AG</b>	Nero - Black
<b>THB.384.A1C.AG</b>	Grigio - Grey RAL 7035



POWER-SOCKET

<b>THB.384.B1A</b>	Nero - Black
<b>THB.384.B1C</b>	Grigio - Grey RAL 7035
<b>THB.384.B1A.AG</b>	Nero - Black
<b>THB.384.B1C.AG</b>	Grigio - Grey RAL 7035

### Codice - Part number

**T H F . 3 8 4 . X 1 X**

frutti intercambiabili - interchangeable fruits



PLUG

<b>THF.384.A1A</b>	Nero - Black
<b>THF.384.A1C</b>	Grigio - Grey RAL 7035



POWER-SOCKET

<b>THF.384.B1A</b>	Nero - Black
<b>THF.384.B1C</b>	Grigio - Grey RAL 7035

### Accessori - Accessories

	<b>6000086MH</b>	Green Seal	Foro - Hole Ø 3,5		Ø	4+6mm		<b>6000040LF</b>	Foro cieco - Blind hole	Riduzione per dadi Adapter for nut
	<b>6000085MM</b>	Blu Seal	Foro - Hole Ø 5,5		Ø	6+7,5mm		<b>6000042LF</b>	Foro - Hole Ø 6	
	<b>6000084MG</b>	Yellow Seal	Foro - Hole Ø 7,5		Ø	7,5+9,5mm		<b>6000041LF</b>	Foro - Hole Ø 7,5	CH Ø 19mm
	<b>6000091MA</b>	White Seal	Foro Cieco - Blind Hole					<b>6002002CC</b>	Nero - Black	Foro - Hole Ø 7,5
	<b>6000114MA</b>	White Seal	2 Fori - 2 Holes Ø 2					<b>6002002CE</b>	Grigio - Grey 7035	
	<b>6000089MA</b>	White Seal	2 Fori - 2 Holes Ø 3,5					<b>604000500</b>	Guarnizione - Seal SILICONE	Øs 24 - Ø1, 19,3 - SP. 1,5
	<b>6000090MA</b>	White Seal	1 Foro - 1 Hole Ø 2					<b>6000157CC</b>	Nero - Black	M20x1,5mm CH Ø 27 mm
	<b>6000106MA</b>	White Seal	3 Fori - 3 Holes Ø 3,5					<b>6000157CE</b>	Grigio - Grey 7035	
	<b>6000113MA</b>	White Seal	4 Fori - 4 Holes Ø 2					<b>Ghiera cieca - Blind ring</b> <b>6DB00200C</b>	Nero - Black	

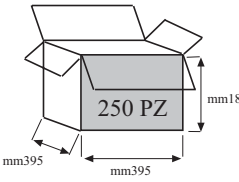

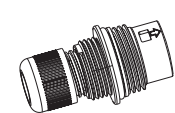
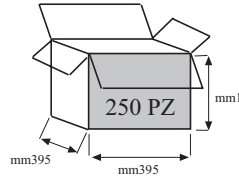

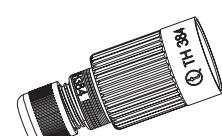
Eventuali modifiche e migliorie sui dati tecnici o sul prodotto potranno essere effettuate senza preavviso.

All technical data or other eventual product modifications and improvements can be carried out without notice

Techno S.r.l. - technology & innovation - tel. +39.031.976445 - www.techno.it - info@techno.it

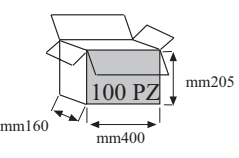
**Kit di fornitura non assemblato THB....**

**Unassembled kit THB....**


<p><b>THX.384.A1X</b></p>  <p>mm395 mm395 mm185 250 PZ</p>	<p><b>THX.023.A3CXX</b></p>  <p>250 PZ</p>  <p>250 PZ</p> <p>Min-Max Ø cavo - cable Ⓟ Ⓟ Ø 7÷9,5 mm</p>
<p><b>THX.384.B1X</b></p>  <p>mm395 mm395 mm185 250 PZ</p>	<p><b>THX.023.B3CXX</b></p>  <p>250 PZ</p>  <p>250 PZ</p> <p>Min-Max Ø cavo - cable Ⓟ Ⓟ Ø 7÷9,5 mm</p>

**Kit di fornitura assemblato THZ....**  
*Assembled kit THZ....*

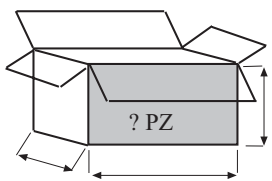
**Kit di fornitura con versionamenti e confezionamenti speciali THK...**  
*Special custom packed version THK....*



mm160 mm400 mm205  
100 PZ

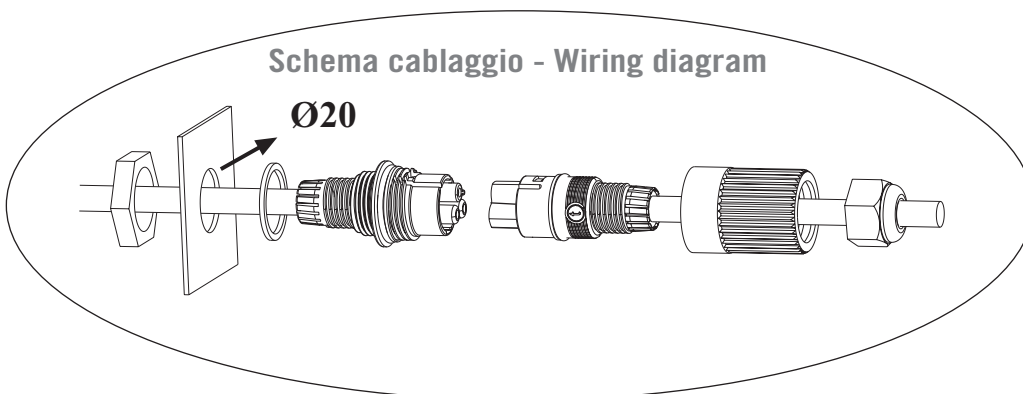


THZ.384



? PZ

**Schema cablaggio - Wiring diagram**



Istruzioni di assemblaggio disponibili sul sito [www.techno.it](http://www.techno.it)  
Instruction sheet available on [www.techno.it](http://www.techno.it)

## ABOUT US

Hylec-APL is a well established Component Distributor specialising in the bulk supply of Terminal Blocks, Connectors and Cable Glands to major OEM's, Sub-Contractor Manufacturers and leading Distribution organisations into both the Electromechanical and the Electronics sectors.

Hylec APL can provide a wide range of product options and application solutions including access to many thousands of line items from its extensive and largely exclusive supplier base. Hylec APL maintains a large UK stock profile at its base in Northants, which is geared to reflect popular market demand whilst offering enhanced product availability to its many customers.

In addition to its core product lines of Terminal Blocks and Connectors – both Electromechanical and Electronic variants - Cable Glands and Cable entry components, Hylec APL has recently extended its range to include LED's, Switches, Buzzers, Relays, Fuses and DIN Rail Mounting Enclosures. This evolutionary development is designed to not only widen market appeal but also to provide the customer with greater choice, the potential for supplier consolidation and the commercial benefits of economies of scale.

Subject to availability, delivery methods include next day carrier as standard and customer specific options, such as special packaging requirements, can be readily considered.

Product choice is supported by a wealth of product knowledge and application experience, and our technical sales team will be only too pleased to assist in the process of correct product selection.

The vast majority of products hold recognised Industrial Safety Approvals and these together with samples can be supplied upon request.

Value for money consistent with the supply of the highest possible quality of products and service is our number one priority.



**APL**

Hylec Components Ltd - Andromeda Products Ltd

T: +44 (0)1933 234400 ■ F: +44 (0)1933 234411  
E: sales@hylec-apl.com ■ W: www.hylec-apl.com



**MAKING THE RIGHT CONNECTIONS**