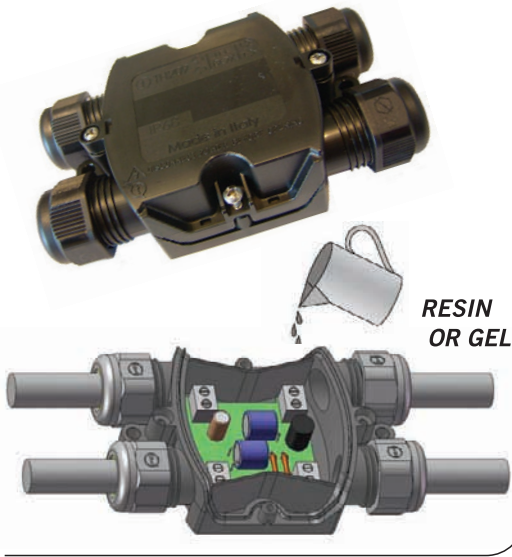
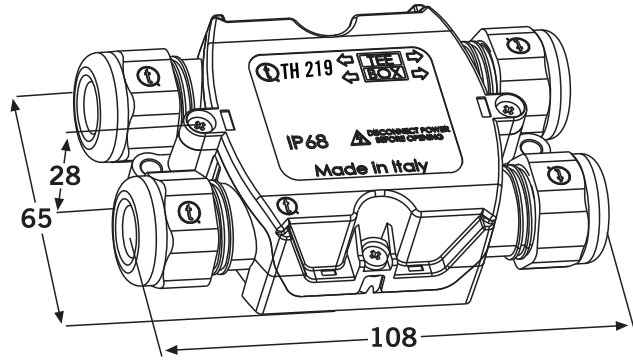


# TH219

IP54  
IP68



RESIN  
OR GEL



Scatola di protezione ad elevato grado IP adatta per riempimenti con resine o gel può contenere circuiti stampati, trasformatori, ecc....

An high IP rated multi-way connector box suitable for filling with resin or gel. It can contain printed circuits, transformers, etc..

## Dati tecnici - Technical data

IP54

IP66

IP68 5 MT

Min-Max  $\varnothing$  cavo-cable  $\oplus \ominus$  5÷14mm

Vedi per scelta accessori -gommini dadi, morsettiere per personalizzare il vostro prodotto

See for choice of other accessories-rubber seals, nuts, terminal blocks to personalise your item

## Materie prime - Raw materials

### Materia plastica - Plastics

PA66 UL94 V2 GWT 850°C

■ Nero - Black

-20°C

□ Grigio - Grey

+125°C

### Gomme - Rubbers

SEBS - TPE V



Vite 3x12 INOX  
Screw 3x12 STAINLESS STEEL

## Norme - Standards

TEST REPORT  
EN 60529:1991+A1:2000  
IP54: 2,6 l/min 10 min  
IP68: 5 MT-PROOF ; 3 h  
IP66: 100 l/min x 3 min  
EN 60998-1:2004  
heating resistance



## Codice - Part number

T H A . 2 1 9 . X X X

### CABLE $\varnothing$ 14 MAX



THA.219.A1A Nero - Black

THA.219.A2A Grigio - Grey

THA.219.A1B Nero - Black

THA.219.A2B Grigio - Grey

IP68

IP54

### CABLE $\varnothing$ MAX



THA.219.B1A Nero - Black

THA.219.B2A Grigio - Grey

THA.219.B1B Nero - Black

THA.219.B2B Grigio - Grey

IP68

IP54

### CABLE $\varnothing$ 9,5 MAX



THA.219.C1A Nero - Black

THA.219.C2A Grigio - Grey

THA.219.C1B Nero - Black

THA.219.C2B Grigio - Grey

IP68

IP54

**Kit di fornitura non assemblato THA**  
*Unassembled kit THA*

**THA.209.XXX**  
**THA.219.XXX**

mm390 mm590 mm240

100 PZ

100 PZ

400 PZ

**Kit di fornitura assemblato THZ**  
*Assembled kit THZ*

**THZ.209.XXX**  
**THZ.219.XXX**

mm395 mm395 mm185

50 PZ

50 PZ

**Kit di fornitura con versionamenti e confezionamenti speciali THK**  
*Special custom packed version THK*

**THK.209.XXX**  
**THK.219.XXX**

mm mm mm

PZ

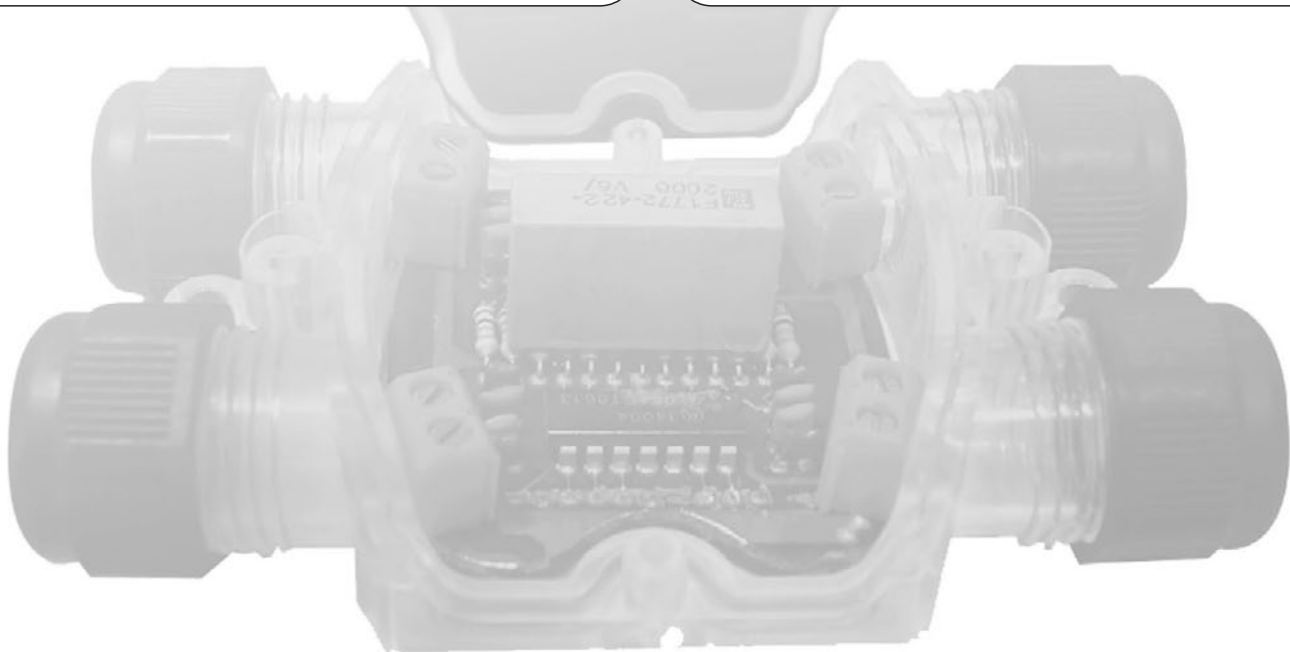
**Kit di fornitura imbustati THR**  
*Fare riferimento a catalogo THR*  
*Retail packed kit THR*  
*Please refer to THR Retail Catalogue*

**THR.209.SXX**  
**THR.219.SXX**

mm395 mm395 mm185

40 CONF

1 CONF  
1 PZ





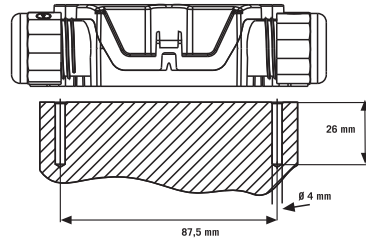
## Accessori per il fissaggio - Fixing accessories

### Schema di fissaggio - Fixing scheme

601000500  
Ø 2.95 x 25 mm



604000100  
Ø 4 x 20 mm



### Accessori per cavo max Ø 9,5 mm Cable accessories, max Ø 9,5 mm

	6000086MH	Green Seal	Foro - Hole Ø 3,5		Ø 4÷6mm
	6000085MM	Blu Seal	Foro - Hole Ø 5,5		Ø 6÷7,5mm
	6000084MG	Yellow Seal	Foro - Hole Ø 7,5		Ø 7.5÷9,5mm
	6000091MA	White Seal	Foro Cieco - Blind Hole		
	6000114MA	White Seal	2 Fori - 2 Holes Ø 2		
	6000089MA	White Seal	2 Fori - 2 Holes Ø 3,5		
	6000090MA	White Seal	1 Foro - 1 Hole Ø 2		
	6000106MA	White Seal	3 Fori - 3 Holes Ø 3,5		
	6000113MA	White Seal	4 Fori - 4 Holes Ø 2		
	6002001CC	Nero - Black	Foro - Hole Ø 9,5 CH Ø 19mm		
	6002001CE	Grigio - Grey 7035			
	6000115KC	Nero - Black	Foro - Hole Ø 7,5 CH Ø 19mm		
	6000115CE	Grigio - Grey 7035			
	6002002CC	Nero - Black	Foro - Hole Ø 7,5		
	6002002CE	Grigio - Grey 7035			
	6000040LF	Foro cieco - Blind hole	Riduzione per dadi Adapter for nut CH Ø 19mm		
	6000042LF	Foro - Hole Ø 6			
	6000041LF	Foro - Hole Ø 7,5			

### Accessori per cavo max Ø 14 mm Cable accessories, max Ø 14 mm

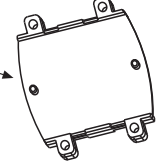
	6DB000800	Double Yellow Seal	Ø <sub>e</sub> 15,5 - Ø <sub>i</sub> 8		Ø 5÷14mm
	604001800	Yellow Seal	Ø <sub>e</sub> 15,5 - Ø <sub>i</sub> 12		Ø 9÷14mm
	600012500	Yellow Seal	Ø <sub>e</sub> 15,5	2 Fori - 2 Holes Ø 3,5	
	600012600	Yellow Seal	Ø <sub>e</sub> 15,5	3 Fori - 3 Holes Ø 3,5	
	600018200	Yellow Seal	Ø <sub>e</sub> 15,5	4 Fori - 4 Holes Ø 3,5	
	600012700	Yellow Seal	Ø <sub>e</sub> 15,5	Asola - Slot Ø 11x5,5	
	600013600	Yellow Seal	Ø <sub>e</sub> 15,5	1 Foro - 1 Hole Ø 3,5	
	600013700	Yellow Seal	Ø <sub>e</sub> 15,5	Foro Cieco - Blind Hole	
	604001100	Black Seal	Ø <sub>e</sub> 15,5 - Ø <sub>i</sub> 8,5		Ø 5÷9mm
	6000092CC	Nero - Black	Foro - Hole Ø 14 CH Ø 24mm		
	6000092CE	Grigio - Grey 7035			
	6000087LF	Riduzione per dado Adapter for nut	CH Ø 24mm		
	6000156LF	Foro cieco Blind hole	CH Ø 24mm		

Morsettiere Techno applicabili.  
Vedi schede prodotto per eventuale scelta versione.  
Applicable Techno terminal blocks  
See product data sheets to choose suitable version.

THC.027.A1A



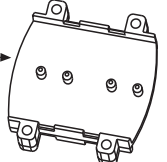
Supporto morsettiere  
solo per TH209  
Terminal block support  
only for TH209



TH026 3-5 poli / 3-5 poles

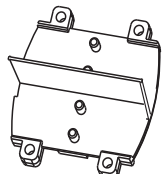


6000175CC



6000175CC

TH020  
2-3 poli / 2-3 poles



6000176CC

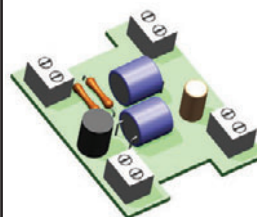
Esempi di altre applicazioni possibili  
Some other possible applications

Tutti i tipi di morsetti passo 8/10/12

All terminal blocks with pitch 8/10/12



Circuiti stampati e trasformatori  
Printed circuits and transformers



## ABOUT US

Hylec-APL is a well established Component Distributor specialising in the bulk supply of Terminal Blocks, Connectors and Cable Glands to major OEM's, Sub-Contractor Manufacturers and leading Distribution organisations into both the Electromechanical and the Electronics sectors.

Hylec APL can provide a wide range of product options and application solutions including access to many thousands of line items from its extensive and largely exclusive supplier base. Hylec APL maintains a large UK stock profile at its base in Northants, which is geared to reflect popular market demand whilst offering enhanced product availability to its many customers.

In addition to its core product lines of Terminal Blocks and Connectors – both Electromechanical and Electronic variants - Cable Glands and Cable entry components, Hylec APL has recently extended its range to include LED's, Switches, Buzzers, Relays, Fuses and DIN Rail Mounting Enclosures. This evolutionary development is designed to not only widen market appeal but also to provide the customer with greater choice, the potential for supplier consolidation and the commercial benefits of economies of scale.

Subject to availability, delivery methods include next day carrier as standard and customer specific options, such as special packaging requirements, can be readily considered.

Product choice is supported by a wealth of product knowledge and application experience, and our technical sales team will be only too pleased to assist in the process of correct product selection.

The vast majority of products hold recognised Industrial Safety Approvals and these together with samples can be supplied upon request.

Value for money consistent with the supply of the highest possible quality of products and service is our number one priority.



**APL**

Hylec Components Ltd - Andromeda Products Ltd

T: +44 (0)1933 234400 ■ F: +44 (0)1933 234411  
E: sales@hylec-apl.com ■ W: www.hylec-apl.com



**MAKING THE RIGHT CONNECTIONS**