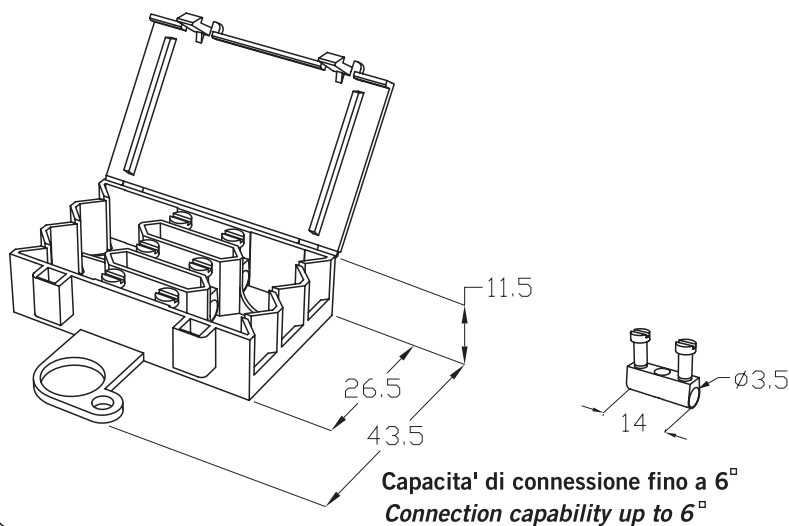




TH100

PATENTED IP20

2-3 Poli



Morsettiera a bussola a 2/3 poli con coperchio fornito aperto.
Viti imperdibili.

Terminal block 2 or 3 poles with open cap.
Captive screws.

Dati tecnici - Technical data

450V ~

T85

IP20

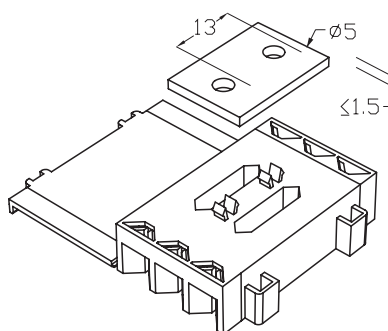
25A

2,5[°]

Codice - Part number

T H B . 1 0 0 . A X X

Sistema di fissaggio SNAP IN - SNAP IN fixing system



THB.100.A2A 2 poli }
THB.100.A3A 3 poli }



THB.100.A4A 2 poli }
THB.100.A6A 3 poli }



Materie prime - Raw materials

Materia plastica - Plastics

PA66 UL94 V2 GWT 850°C

□ Naturale - Natural

-20°C

+125°C

Bussole- Insert



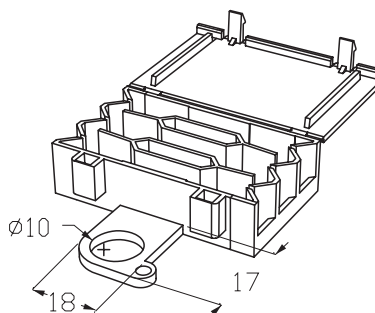
Acciaio zincato passivato
Zinc plated

Ottone nichelato
Nickled brass

Bussole STD
STD insert
Bussole WP
WP insert



Fissaggio con asola - Slot version fixing



THB.100.A2B 2 poli }
THB.100.A3B 3 poli }



THB.100.A4B 2 poli }
THB.100.A6B 3 poli }

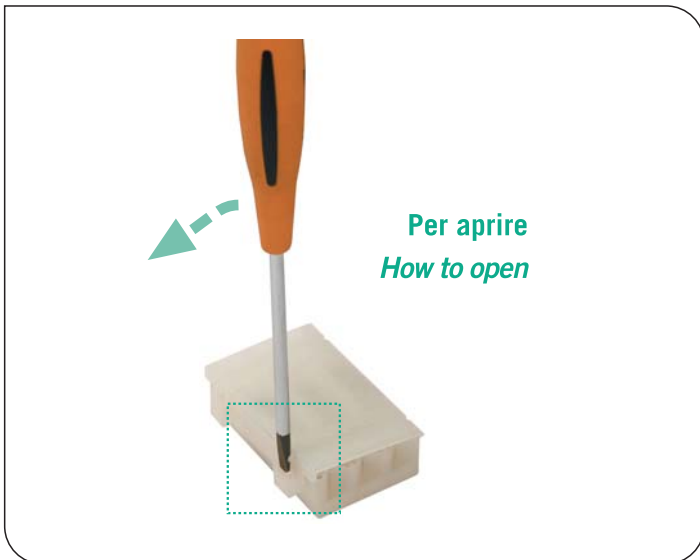


Norme - Standards

EN 60998-1:2004
EN 60998-2-1:2004

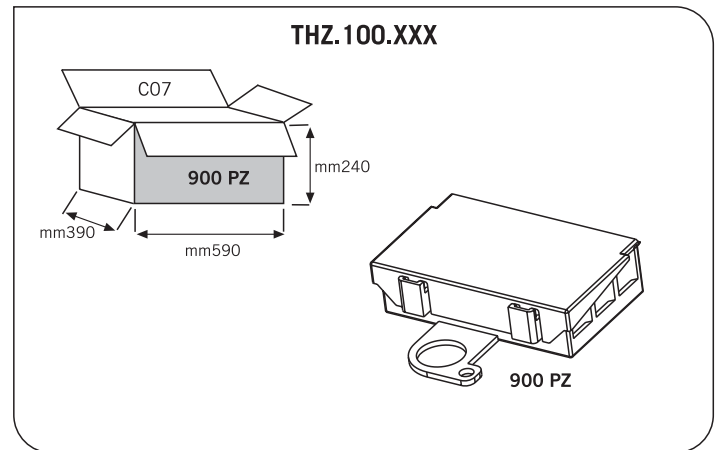
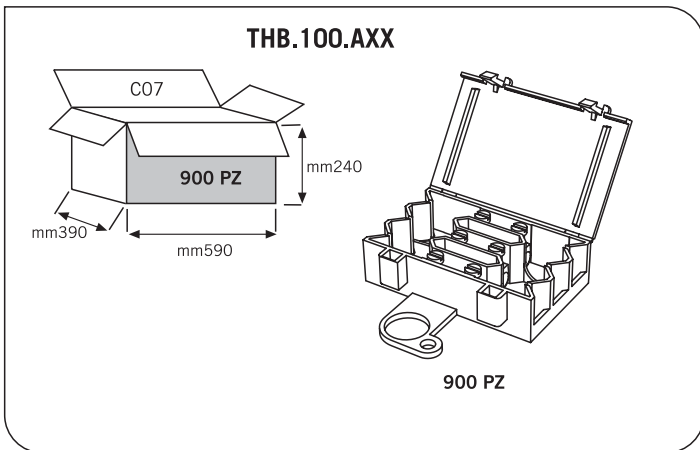


Eventuali modifiche e migliorie sui dati tecnici o sul prodotto potranno essere effettuate senza preavviso.
All technical data or other eventual product modifications and improvements can be carried out without notice



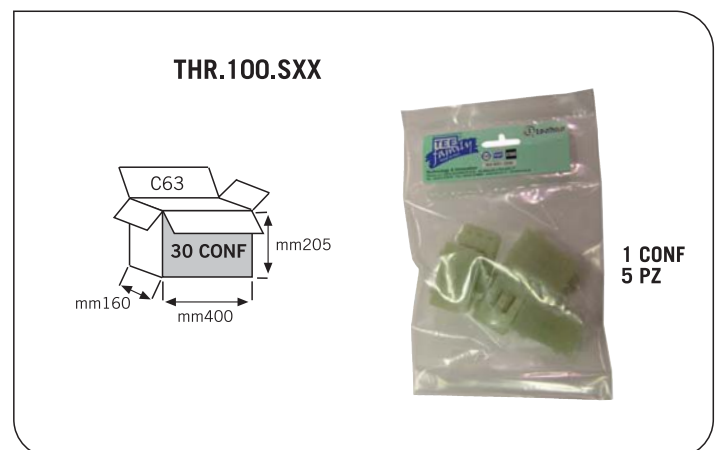
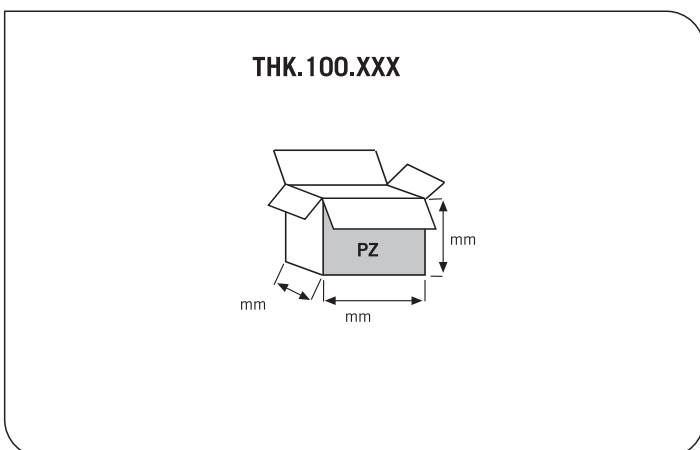
Kit di fornitura non assemblato THB
Unassembled kit THB

Kit di fornitura assemblato THZ
Assembled kit THZ



Kit di fornitura con versionamenti e confezionamenti speciali THK
Special custom packed version THK

Kit di fornitura imbustati THR
Fare riferimento a catalogo THR
Retail packed kit THR
Please refer to THR Retail Catalogue



Vedi istruzioni di assemblaggio
Refer to user instructions



ABOUT US

Hylec-APL is a well established Component Distributor specialising in the bulk supply of Terminal Blocks, Connectors and Cable Glands to major OEM's, Sub-Contractor Manufacturers and leading Distribution organisations into both the Electromechanical and the Electronics sectors.

Hylec APL can provide a wide range of product options and application solutions including access to many thousands of line items from its extensive and largely exclusive supplier base. Hylec APL maintains a large UK stock profile at its base in Northants, which is geared to reflect popular market demand whilst offering enhanced product availability to its many customers.

In addition to its core product lines of Terminal Blocks and Connectors – both Electromechanical and Electronic variants - Cable Glands and Cable entry components, Hylec APL has recently extended its range to include LED's, Switches, Buzzers, Relays, Fuses and DIN Rail Mounting Enclosures. This evolutionary development is designed to not only widen market appeal but also to provide the customer with greater choice, the potential for supplier consolidation and the commercial benefits of economies of scale.

Subject to availability, delivery methods include next day carrier as standard and customer specific options, such as special packaging requirements, can be readily considered.

Product choice is supported by a wealth of product knowledge and application experience, and our technical sales team will be only too pleased to assist in the process of correct product selection.

The vast majority of products hold recognised Industrial Safety Approvals and these together with samples can be supplied upon request.

Value for money consistent with the supply of the highest possible quality of products and service is our number one priority.



APL

Hylec Components Ltd - Andromeda Products Ltd

T: +44 (0)1933 234400 ■ F: +44 (0)1933 234411
E: sales@hylec-apl.com ■ W: www.hylec-apl.com



MAKING THE RIGHT CONNECTIONS