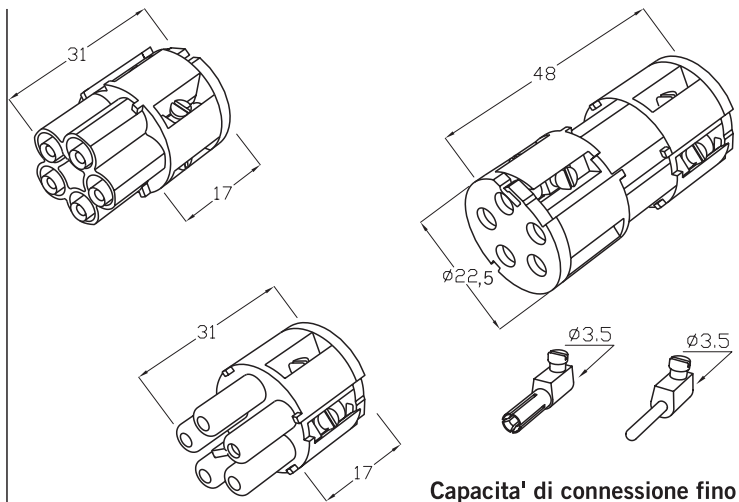




TH022

PATENTED

5 Poli



Capacità di connessione fino a 6[□]
Connection capability up to 6[□]

Connessione presa- spina 5 poli, per uso interno.
Facilità di cablaggio .Connessione a bussola o pin a crimpare oppure ibrida pin/bussola .

5 poles plug-socket connection, indoor use only.
Easy wiring. Pin crimp or bush connection, or hybrid pin crimp bush.

Dati tecnici - Technical data

32A

T125

400V ~

PTI175

Rated voltage 400 V
Rated current 32 A
Range of temperature 0-125°C
Proof tracking index PTI175
Impulse withstand voltage 6 KV

Materie prime - Raw materials

Materia plastica - Plastics

PA66GF UL94 V0 GWT 960°C

■ Nero - Black

■ Marrone-Brown

■ Grigio - Grey

■ Grigio - Grey

■ Grigio - Grey

■ Grigio - Grey

-20°C

+125°C

Bussole- Insert



Ottone nichelato

Nickel plated brass



AG=

Ottone Argentato

Silver plated brass



M3

Acciaio zincato passivato

Zinc plated steel

Pin - Crimp

> Solo parte plastica - Plastic part only

> Per pin cilindrici universali Ø 2

> For universal cylindrical pin Ø 2



Norme - Standards

EN 61984-2001



Codice - Part number

T H B . 0 2 2 . X 5 A



THB.022.A5A

Nero - Black

THB.022.A5A.AG

Nero - Black



MALE-PLUG



THB.022.B5A

Marrone - Brown

THB.022.B5A.AG

Marrone - Brown



FEMALE-SOCKET (POWER)

Codice - Part number

T H F . 0 2 2 . X 5 A



THF.022.A5A

Grigio - Grey RAL 7001



MALE-PLUG



THF.022.B5A

Grigio - Grey RAL 7035

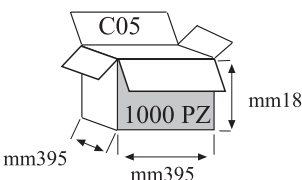


FEMALE-SOCKET (POWER)

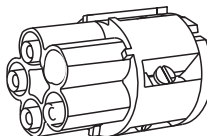


Kit di fornitura non assemblato THB-F
Unassembled kit THB-F

THB.022.A5A.XX
THF.022.A5A.XX

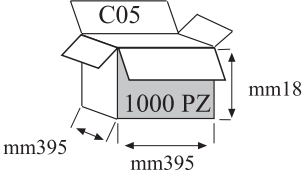


mm395 mm395 mm185
1000 PZ

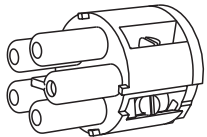


PLUG

THB.022.B5A.XX
THF.022.B5A.XX



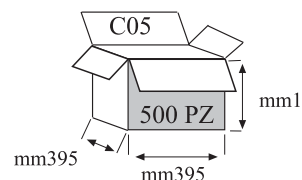
mm395 mm395 mm185
1000 PZ



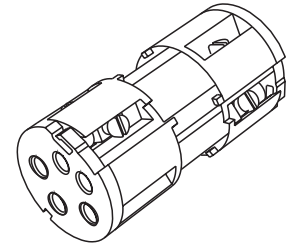
SOCKET

Kit di fornitura assemblato THZ
Assembled kit THZ

THZ.022.XXX.XX



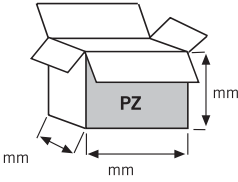
mm395 mm395 mm185
500 PZ



500 PZ

Kit di fornitura con versionamenti e confezionamenti speciali THK
Special custom packed version THK

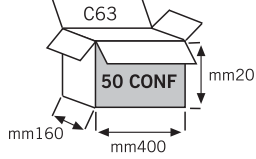
THK.022.XXX




mm mm mm
PZ

Kit di fornitura imbustati THR
Retail packed kit THR

THR.022.SXX.XX



mm160 mm400 mm205
50 CONF



1 CONF
5 PZ

Possibilità di abbinamento tra THB022 e THF022
Possible to connect THB022 and THF022 with each other (hybrid)

ABOUT US

Hylec-APL is a well established Component Distributor specialising in the bulk supply of Terminal Blocks, Connectors and Cable Glands to major OEM's, Sub-Contractor Manufacturers and leading Distribution organisations into both the Electromechanical and the Electronics sectors.

Hylec APL can provide a wide range of product options and application solutions including access to many thousands of line items from its extensive and largely exclusive supplier base. Hylec APL maintains a large UK stock profile at its base in Northants, which is geared to reflect popular market demand whilst offering enhanced product availability to its many customers.

In addition to its core product lines of Terminal Blocks and Connectors – both Electromechanical and Electronic variants - Cable Glands and Cable entry components, Hylec APL has recently extended its range to include LED's, Switches, Buzzers, Relays, Fuses and DIN Rail Mounting Enclosures. This evolutionary development is designed to not only widen market appeal but also to provide the customer with greater choice, the potential for supplier consolidation and the commercial benefits of economies of scale.

Subject to availability, delivery methods include next day carrier as standard and customer specific options, such as special packaging requirements, can be readily considered.

Product choice is supported by a wealth of product knowledge and application experience, and our technical sales team will be only too pleased to assist in the process of correct product selection.

The vast majority of products hold recognised Industrial Safety Approvals and these together with samples can be supplied upon request.

Value for money consistent with the supply of the highest possible quality of products and service is our number one priority.



APL

Hylec Components Ltd - Andromeda Products Ltd

T: +44 (0)1933 234400 ■ F: +44 (0)1933 234411
E: sales@hylec-apl.com ■ W: www.hylec-apl.com



MAKING THE RIGHT CONNECTIONS