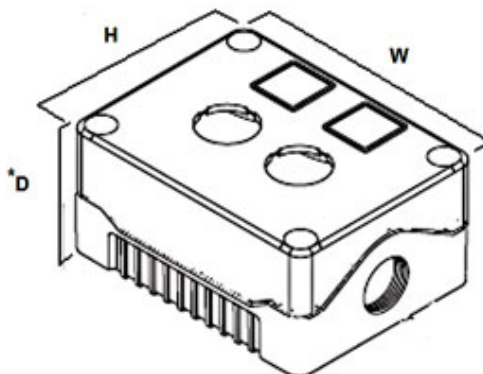


1DE.01.03AB

E-stop c/w key reset, yellow cover, black base, red mushroom head EN418



*Enclosure only except 1DE .SP series where D includes actuator height

EN

SPECIFICATION

Accessories Available	DIN rail and flange snap-on brackets
Base Colour	Black
Base Style	Standard base
Depth (mm)	53
Enclosure Material	ABS-UL94-HB
Height (mm)	80
IP Rating	IP56
Lid Colour	Yellow
Max Temperature Rating °C	65
Minimum Temp Rating °C	-10
Number of Switches	1
Size (mm)	80x73x53
Switch 1 Style	Pushbutton non-illuminated, key reset
Switch 1 Substyle	Mushroom head key reset
Width (mm)	73

DISTRIBUTORS

