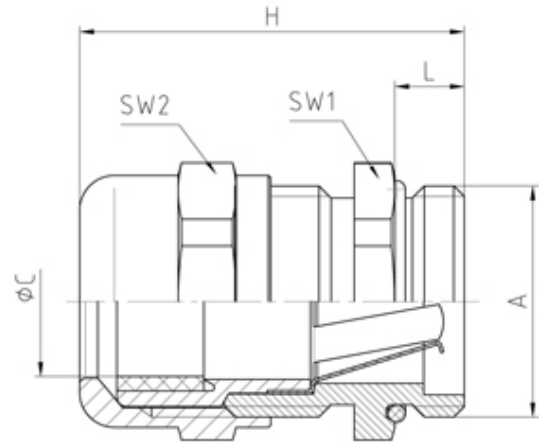


## 50.616 M/EMVDL

Perfect cable gland EMVD M16X1,5 thread length 10, min/max cable dia 5-9



### SPECIFICATION

<b>Product Type</b>	EMVD/EMCD
<b>Sealing Ring Material</b>	Polychloroprene-Nitrile rubber CR/NBR
<b>Body Material</b>	Nickel Plated Brass
<b>Min Temperature °C</b>	-20
<b>Max Temperature °C</b>	100
<b>IP Rating</b>	68
<b>Thread Size</b>	M16
<b>Clamping Range Min (mm)</b>	5
<b>Clamping Range Max (mm)</b>	9
<b>Lamellar Insert Material</b>	Polyamide PA6 V-2
<b>External Connecting Thread Type</b>	Metric
<b>Thread Length (mm)</b>	10
<b>Contact Spring Material</b>	Stainless steel
<b>Comments</b>	details about tests - see annex
<b>Width Across Flat 1 (mm)</b>	17
<b>Width Across Flat 2 (mm)</b>	17
<b>Height (mm)</b>	35
<b>Connecting Thread Size</b>	M16x1.5
<b>Additional Material Detail</b>	Body - Brass CuZn39Pb3 nickel plated, O-Ring - Nitrile rubber
<b>Standards</b>	UL514B

### DISTRIBUTORS

