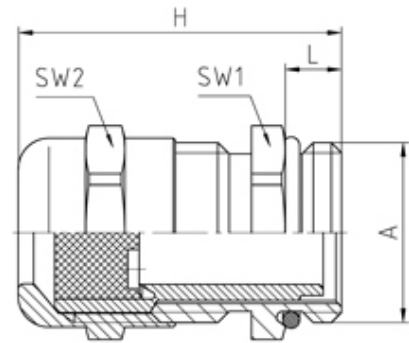


50.632 M/STO

Perfect cable gland with blanking sealing insert M32X1,5 thread length 8



SPECIFICATION

Product Type	Standard
Body Material	Nickel Plated Brass
Min Temperature °C	-20
Max Temperature °C	100
IP Rating	65
Thread Size	M32
Lamellar Insert Material	Polyamide PA6 V-2
External Connecting Thread Type	Metric
Thread Length (mm)	8
Sealing Insert	Evoprene TPE
Comments	sealing inserts - see WJ-DM xx STO
Width Across Flat 1 (mm)	34
Width Across Flat 2 (mm)	34
Height (mm)	38
Connecting Thread Size	M32x1.5
Additional Material Detail	Body - Brass CuZn39Pb3 nickel plated, O-Ring - Nitrile rubber