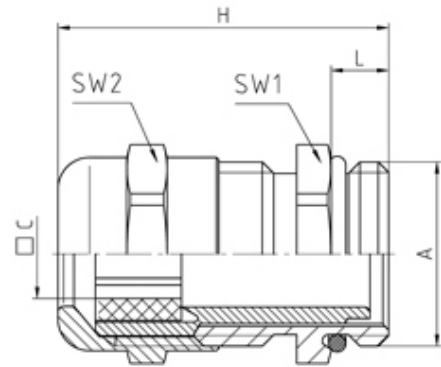


### 50.625 M/ASI/1

Perfect cable gland with AS-I sealing insert M25X1,5 thread length 7, min/max cable dia -1 x AS-i Bus cable



### SPECIFICATION

<b>Product Type</b>	Standard
<b>Body Material</b>	Nickel Plated Brass
<b>Min Temperature °C</b>	-20
<b>Max Temperature °C</b>	100
<b>IP Rating</b>	65
<b>Thread Size</b>	M25
<b>Clamping Range Max (mm)</b>	1 x AS-i Bus-Leitung
<b>Lamellar Insert Material</b>	Polyamide PA6 V-2
<b>External Connecting Thread Type</b>	Metric
<b>Thread Length (mm)</b>	7
<b>Sealing Insert</b>	Evoprene TPE
<b>Comments</b>	sealing inserts - see WJ-DM xx/ASI/z
<b>Width Across Flat 1 (mm)</b>	27
<b>Width Across Flat 2 (mm)</b>	27
<b>Height (mm)</b>	36.5
<b>Connecting Thread Size</b>	M25x1.5
<b>Additional Material Detail</b>	Body - Brass CuZn39Pb3 nickel plated, O-Ring - Nitrile rubber