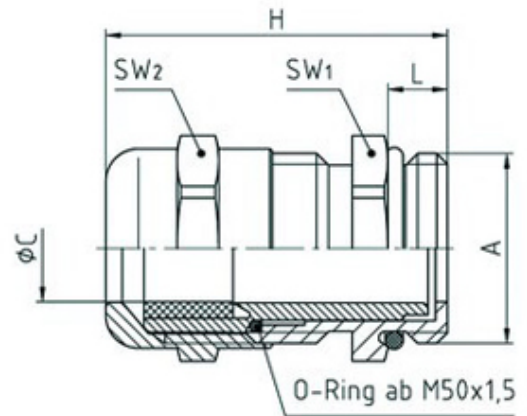


50.612 M/EMV/EX

Perfect cable gland EMV-EX M12X1,5 thread length 5, min/max cable dia 3-6

EMV / EMC



SPECIFICATION

| | |
|---------------------------------|---|
| Product Type | EX |
| Sealing Ring Material | Polychloroprene-Nitrile rubber CR/NBR |
| Body Material | Nickel Plated Brass |
| Min Temperature °C | -20 |
| Max Temperature °C | 80 |
| IP Rating | 68 |
| Thread Size | M12 |
| Clamping Range Min (mm) | 3 |
| Clamping Range Max (mm) | 6 |
| Lamellar Insert Material | Polyamide PA6 V-2 |
| External Connecting Thread Type | Metric |
| Thread Length (mm) | 5 |
| Comments | DMT 99 ATEX E0162G, 2D and 3G/1, 2, 21, 22 Equipment Group IIEx e, increased safety EN 60079-0/EN 60078-7 |
| Width Across Flat 1 (mm) | 14 |
| Width Across Flat 2 (mm) | 14 |
| Height (mm) | 25 |
| Connecting Thread Size | M12x1.5 |
| Additional Material Detail | Body - Brass CuZn39Pb3 nickel plated, Dust cap - Polyethylene PE-LD, O-Ring - Nitrile rubber |
| Category/Zone | 2G, 2D and 3G/1, 2, 21, 22 |
| Equipment Group | Equipment Group II |
| Standards | EN60079-1/EN60079-7/EN61241-0/EN61241-1 |
| Type of Protection | Ex e, increased safety |