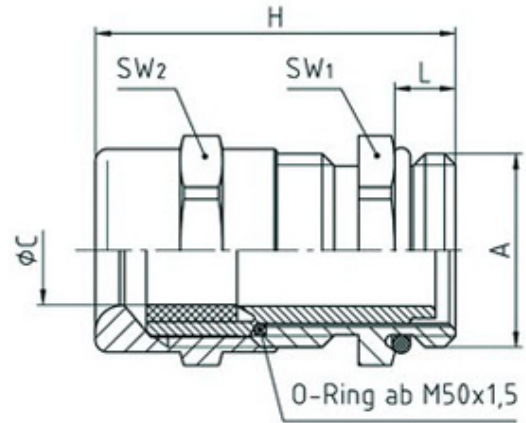


## 50.763 M/L/EX

Perfect cable gland EX M63X1,5 thread length 14, min/max cable dia 32-42 Flexible cable installation



### SPECIFICATION

|  |   |
|--|---|
| <b>Product Type</b>                    | EX  |
| <b>Sealing Ring Material</b>           | Polychloroprene-Nitrile rubber CR/NBR   |
| <b>Body Material</b>                   | Nickel Plated Brass   |
| <b>Min Temperature °C</b>              | -20   |
| <b>Max Temperature °C</b>              | 80  |
| <b>IP Rating</b>                       | 68  |
| <b>Thread Size</b>                     | M63   |
| <b>Clamping Range Min (mm)</b>         | 32  |
| <b>Clamping Range Max (mm)</b>         | 42  |
| <b>Lamellar Insert Material</b>        | Polyamide PA6 V-2   |
| <b>External Connecting Thread Type</b> | Metric  |
| <b>Thread Length (mm)</b>              | 14  |
| <b>Comments</b>                        | DMT 99 ATEX E0162G, 2D and 3G/1, 2, 21, 22 Equipment Group IIEx e, increased safety EN 60079-0/EN 60078-7 |
| <b>Width Across Flat 1 (mm)</b>        | 65  |
| <b>Width Across Flat 2 (mm)</b>        | 65  |
| <b>Height (mm)</b>                     | 59  |
| <b>Connecting Thread Size</b>          | M63x1.5   |
| <b>Additional Material Detail</b>      | Body - Brass CuZn39Pb3 nickel plated, Dust cap - Polyethylene PE-LD, O-Ring - Nitrile rubber              |
| <b>Category/Zone</b>                   | 2G, 2D and 3G/1, 2, 21, 22  |
| <b>Equipment Group</b>                 | Equipment Group II  |
| <b>Standards</b>                       | EN60079-1/EN60079-7/EN61241-0/EN61241-1   |
| <b>Type of Protection</b>              | Ex e, increased safety  |