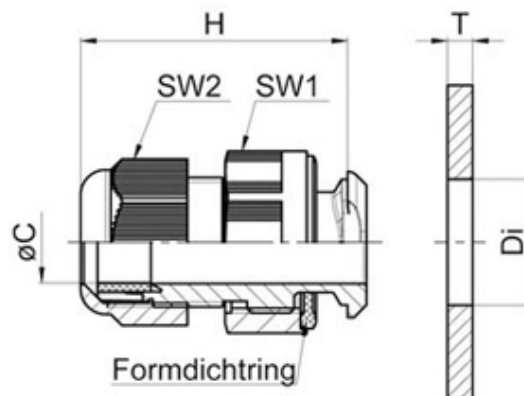


K341-1020-01

Kwik Fix cable gland PA7001 M20



SPECIFICATION

Product Type	Standard
Sealing Ring Material	Polychloroprene-Nitrile rubber CR/NBR
Body Material	Polyamide
Mounting Nut Material	Polyamide PA6 GF30
Moulded Sealing Ring Material	Nitrile-Polytetrafluorethylene rubber NBR/PTFE
Min Temperature °C	-20
Max Temperature °C	100
IP Rating	68
Colour	Dark Grey - RAL 7001
Hole Diameter (mm)	20.1
Thread Size	M20
Clamping Range Min (mm)	8
Clamping Range Max (mm)	13
Width Across Flat 1 (mm)	26
Width Across Flat 2 (mm)	24
Height (mm)	42.5
Additional Material Detail	Body - Polyamide PA6 V-2

DISTRIBUTORS

