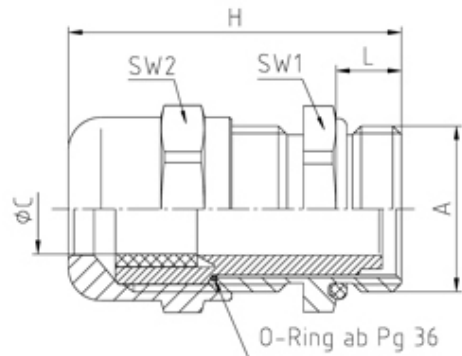


## 50.007

Perfect cable gland PG7 thread length 5, min/max cable dia 3-6.5



### SPECIFICATION

Product Type	Standard
Sealing Ring Material	Polychloroprene-Nitrile rubber CR/NBR
Body Material	Nickel Plated Brass
Min Temperature °C	-20
Max Temperature °C	100
IP Rating	68
Thread Size	PG7
Clamping Range Min (mm)	3
Clamping Range Max (mm)	6.5
Lamellar Insert Material	Polyamide PA6 V-2
External Connecting Thread Type	PG
Thread Length (mm)	5
Width Across Flat 1 (mm)	14
Width Across Flat 2 (mm)	14
Height (mm)	24
Connecting Thread Size	Pg 7
Additional Material Detail	Body - Brass CuZn39Pb3 nickel plated, O-Ring - Nitrile rubber

### DISTRIBUTORS

