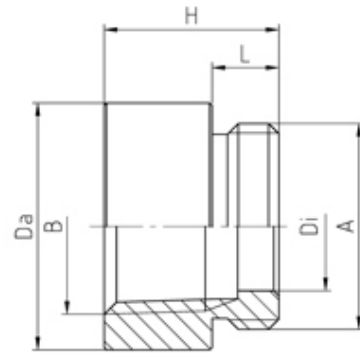




Metric/NPT Adapters

Range: Cable Glands/Grommets

Order Code: M25NPT3/4



DESCRIPTION

Adapter M25/NPT3/4 thread length 7 M25x1.5 Body - Brass CuZn39Pb3 nickel plated

*Subject to technical modification without notice.
Typographical and other errors do not justify claim for damages.*

SPECIFICATION

Product Type	Standard
Body Material	Nickel Plated Brass
Max Temperature Rating °C	200
IP Rating	dependent on the combination with other components
Hole Diameter (mm)	18
Thread Size	M25-NPT 3/4
External Connecting Thread Type	NPT 3/4"
Internal Connecting Thread Type	NPT
Thread Length (mm)	7
External Diameter (mm)	30
Height (mm)	28
Connecting Thread Size	M25x1.5
Additional Material Detail	Body - Brass CuZn39Pb3 nickel plated