

ZIERICK

ENGINEERED INTERCONNECTION SOLUTIONS

131 Radio Circle, Mt. Kisco, NY 10549 USA
800-882-8020 • 914-666-2911 • Fax: 914-666-0216
www.zierick.com • contactus@zierick.com



FEATURES & BENEFITS

- Most economical way to terminate wire to board;
- Smallest footprint;
- High current carrying capability
- current rating of the termination is the same as the current rating of the terminated wire
- terminal acts as a heat sink;
- No separate strain relief required;
- High resistance to wire flexing and axial and radial pull forces;
- Terminal lends itself to automated termination;
- Designed to be bulk fed with a special feeder - no surface mount taping required, making terminal more economical in high volume applications;
- Available in taped format.

INSULATION PIERCING CRIMP FAMILY SURFACE MOUNT TERMINALS PART NUMBERS 1286, 1293, 1294 AND 1295

Zierick Manufacturing Corp. has developed a new family of SMT connectors. They are highly reliable and provide an economical way to connect a wire to a Surface Mount Printed Circuit Board. These innovations consist of a surface mounted insulation piercing crimp terminal and a special tool which crimps the wire into the terminal and locks it in position.

This method of wire connection to a PCB is more economical than all other methods currently being used, such as two-piece pin and receptacle types of connections, IDCs, or hand soldering. The terminals have a small footprint, similar in real estate to a hand soldered wire. They are highly reliable since the technique uses a well proven crimping technology with unique insulation piercing spikes. The spikes inside the part penetrate through the wire insulation to the core of the wire and pro-

vide a gas-tight connection during the crimping process. With this method, there is no need to strip the insulation from the wire and the termination can be made not only at the end of the wire, but at any place along the length of the wire. This makes the crimp terminal especially useful with in-line applications, when multiple terminations are required for one single wire such as a series of diodes used in block lettering display applications.

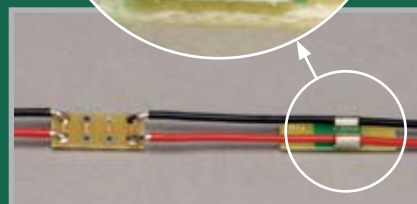
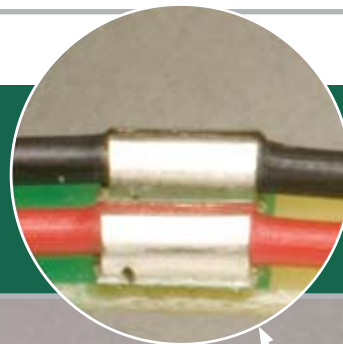
The other important component of this system is the wire terminating crimp tool. A semi-automatic version not only terminates the wire, but also reduces any work related to wire handling.

These are the smallest and the most economical terminals available for an SMT Wire to Board application, and utilize well proven and reliable technology.



Old Technology:

Tedious, time consuming, labor intensive, and environmentally unfriendly hand soldering



New Technology:

Economical, clean and quick SMT Insulation Piercing Connector

PN 1286 SPECIFICATIONS

Part Numbers

Loose: 1286

Taped: 1286T

Small Reel: 1286T-SR

Wire Sizes

16 AWG (.077 in. OD)

18 AWG (.068, .078, .080 in. OD)

20 AWG (.068, .073, .082 in. OD)

Material Thickness / Type

0.016" (0.41mm) CDA 260 Brass

Current Rating*

Up to 13 Amps

Crimping / Wire Termination Tools

Mini Press for high volume applications

WTC-1286-1 for low volume and/or field terminations

Standard Finish

100% Tin over Copper

Feeder Systems

SMT Feeder for Loose Piece Terminals

Standard 12mm Tape Feeder

U.S. and Int'l Patents applied for

PN 1293 SPECIFICATIONS

Part Numbers

Loose: 1293

Taped: 1293T

Small Reel: 1293T-SR

Wire Sizes

12 AWG (.125 in. OD)

14 AWG (.111, .130 in. OD)

16 AWG (.124 in. OD)

Material Thickness / Type

0.020" (0.51mm) Pre-Plated Brass

Current Rating*

Up to 23 Amps

Crimping / Wire Termination Tools

Mini Press for high volume applications

WTC-1293-1 for low volume and/or field terminations

Standard Finish

100% Tin over Copper

Feeder Systems

SMT Feeder for Loose Piece Terminals

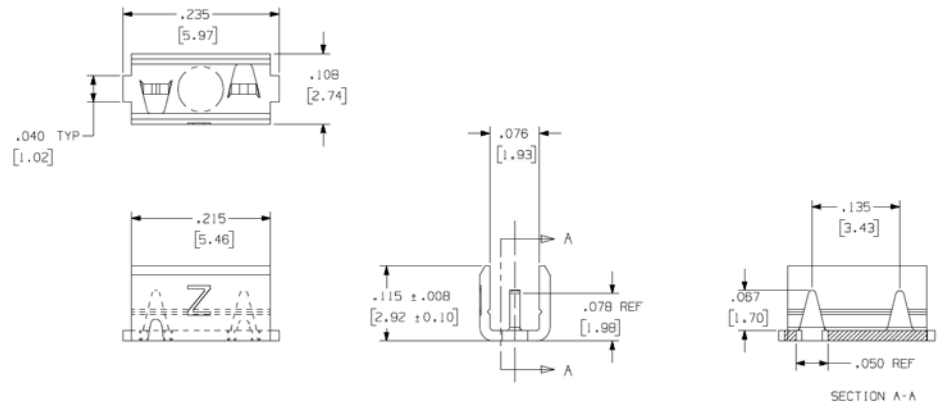
Standard 16mm Tape Feeder

U.S. and Int'l Patents applied for

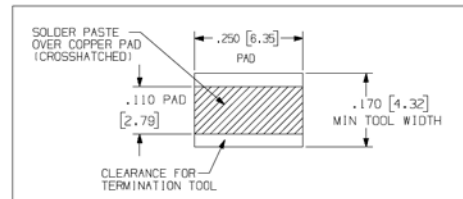
*Ampacities are only offered as guidelines. Each part should be tested in the customer specific application.

INSULATION PIERCING CRIMP FAMILY SURFACE MOUNT TERMINALS PART NUMBERS 1286 AND 1293

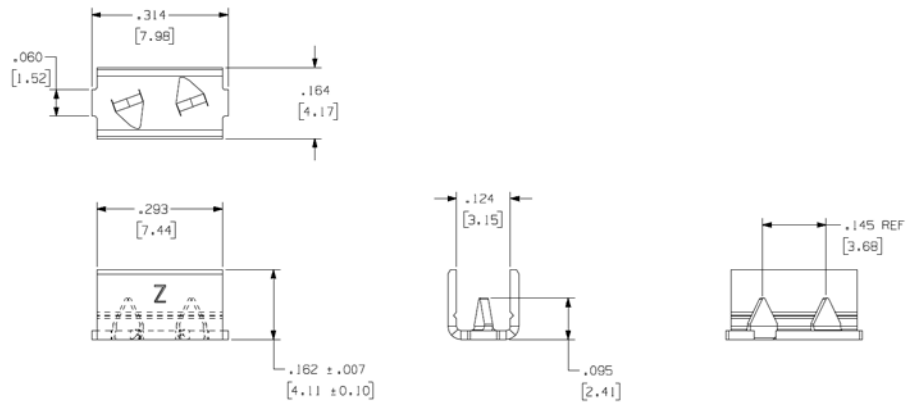
APPLICATION DRAWING for PART NUMBERS 1286 and 1286T



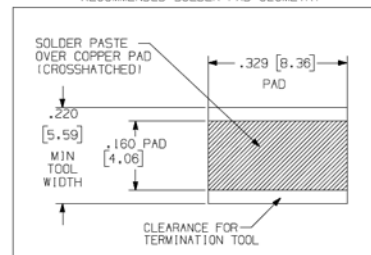
RECOMMENDED SOLDER PAD GEOMETRY



APPLICATION DRAWING for PART NUMBERS 1293 and 1293T

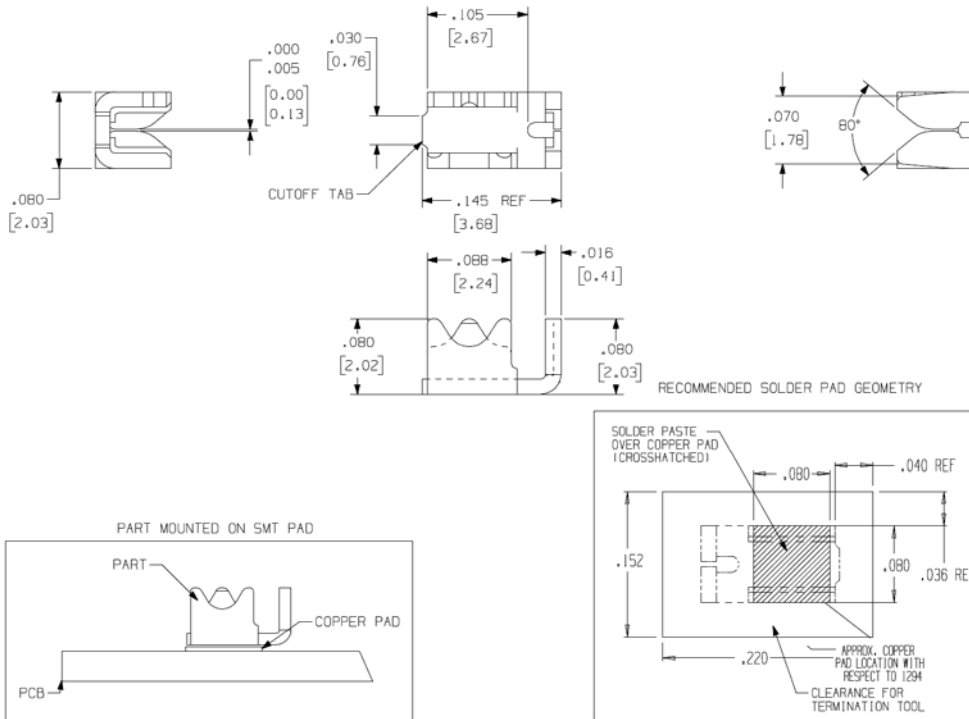


RECOMMENDED SOLDER PAD GEOMETRY

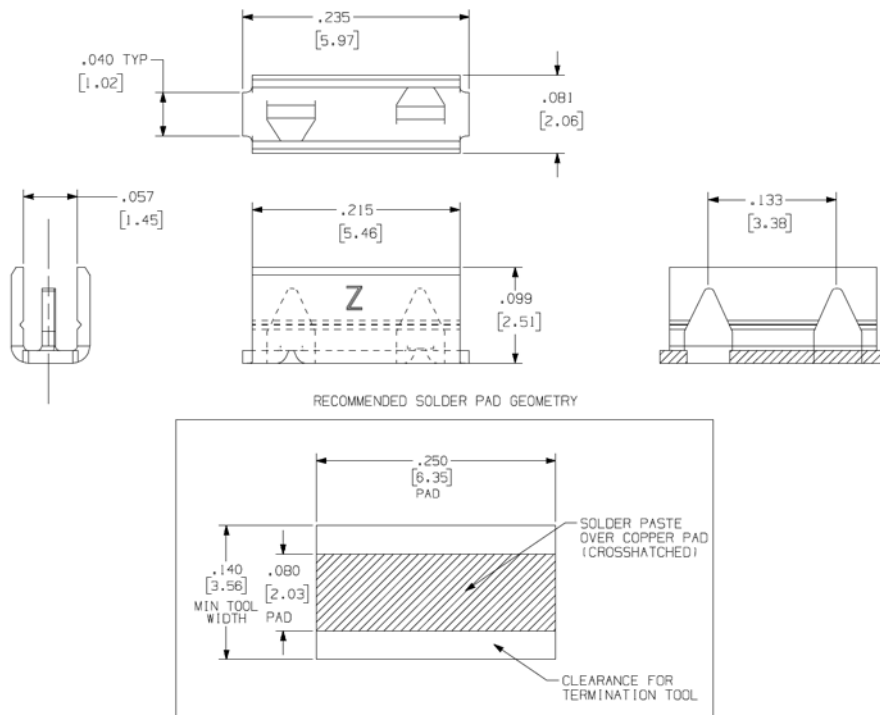


INSULATION PIERCING CRIMP FAMILY
SURFACE MOUNT TERMINALS
PART NUMBERS 1294 AND 1295

APPLICATION DRAWING for PART NUMBERS 1294 and 1294T



APPLICATION DRAWING for PART NUMBERS 1295 and 1295T



PN 1294 SPECIFICATIONS

Part Numbers
Loose: 1294
Taped: 1294T
Small Reel: 1294T-SR
Wire Sizes
24 AWG (.059, .057, .056, or .058 in. OD)
Material Thickness / Type
0.016" (0.41mm) Pre-Plated Brass
Current Rating*
Up to 2 Amps
Crimping / Wire Termination Tools
Mini Press for high volume applications
WTC-1294-1 for low volume and/or field terminations
Standard Finish
100% Tin over Copper
Feeder Systems
SMT Feeder for Loose Piece Terminals
Standard 16mm Tape Feeder
U.S. and Int'l Patents applied for

PN 1295 SPECIFICATIONS

Part Numbers
Loose: 1295
Taped: 1295T
Small Reel: 1295T-SR
Wire Sizes
20 AWG (.045, .050, .061 in. OD)
22 AWG (.053, .058 in. OD)
Material Thickness / Type
0.012" (0.30mm) Pre-Plated Brass
Current Rating*
Up to 8 Amps
Crimping / Wire Termination Tools
Mini Press for high volume applications
WTC-1295-1 for low volume and/or field terminations
Standard Finish
100% Tin over Copper
Feeder Systems
SMT Feeder for Loose Piece Terminals
Standard 16mm Tape Feeder
U.S. and Int'l Patents applied for

* Capacities are only offered as guidelines. Each part should be tested in the customer specific application.

About Zierick

Zierick Manufacturing Corporation is the leading source of solutions to complex interconnection requirements and problems. From standard products to custom-made goods, Zierick has invented and produced technologies which have become the industry standard and which will continue to shape the industry in the future. Zierick also provides its customers with assembly equipment, interconnection hardware, and taped terminals. For nearly a century, Zierick has maintained custom stamping capabilities, setting the standard in both design leadership and quality tooling and stamping.

For more information on all Zierick products, contact Zierick Manufacturing Corp., 131 Radio Circle, Mount Kisco, NY, 10549. Toll-free phone number: 800-882-8020. Email: connectwithus@zierick.com.

INSULATION PIERCING CRIMP FAMILY SURFACE MOUNT TERMINALS PART NUMBERS 1286, 1293, 1294 AND 1295

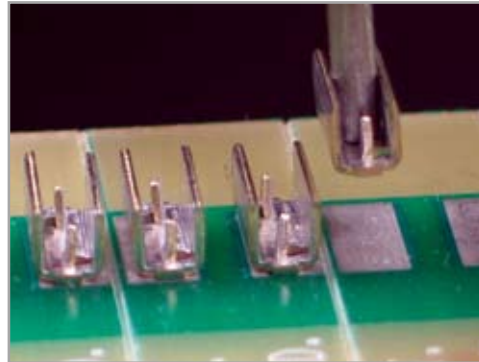


Figure 1: Terminals placed on PCB

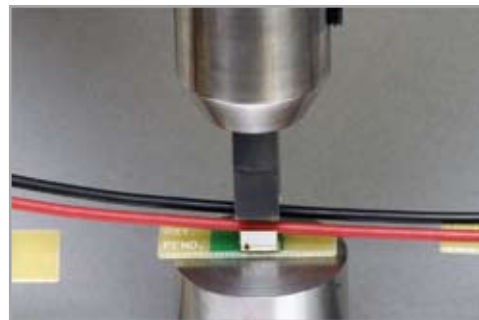


Figure 2: Wire is Crimped into Terminal



Figure 3: Wires Properly Terminated by the Press



Figure 4: Field Wire Termination Tool

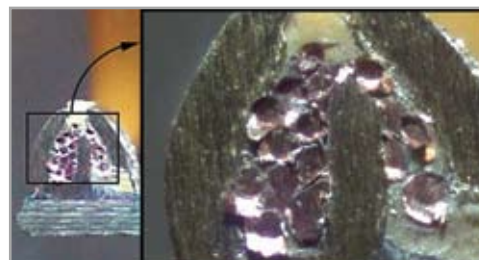


Figure 5: Cross Section of Terminated Wire

Figure 1 shows PN 1286 being placed onto pre-pasted SMT solder pads. There are two pads per “board”. After reflow, the terminal is ready to receive the wire (18 AWG for PN 1286).

After the terminal is soldered to the PCB, the wire is placed in its “U” shaped channel and inserted under the tool on the Mini Crimping Press. See Figure 2. The crimping cycle is initiated by simply pressing the two actuator buttons on the sides of the press.

Figure 3 shows the wires properly terminated by the press. The same termination can be performed in the “field” with one of our hand crimping tools, shown in Figure 4.

Figure 5 is a cross-section of the stranded wire that was crimped by the 1286 connector.

The insulation does not need to be stripped from the wire prior to termination. The connection is made by the insulation piercing spikes which are forced into the wire strands. The curved terminal “crimp ears” keep the spikes inside the wire and provide strain relief for the conductor.

This insulation piercing process requires significantly less force to terminate a wire than conventional crimping, therefore shock loading of the PCB assembly is minimized. This process provides a reliable connection through a large range of crimping forces so it is not crimping-force sensitive. It can accommodate variations of PCB and solder thicknesses.