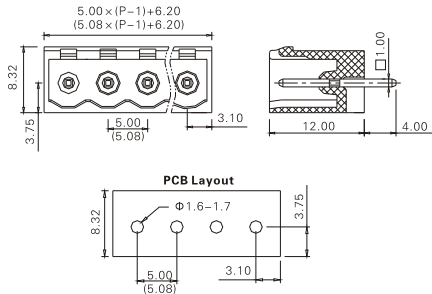


TLPHC-200V(TLPHC-300V)



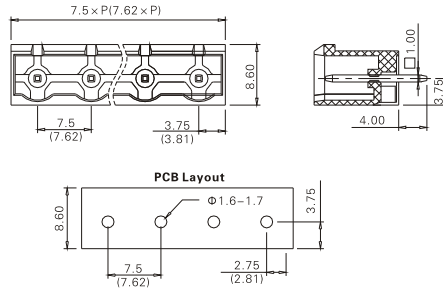
技术数据 Technical data

Pitch (间距):	5.08mm
Approval (认证):	Applying
Rated voltage (电压):	300V 250V
Rated current (电流):	12A 12A
PCB hole Dia(PCB直径):	$\Phi 1.6-1.7$ mm

料号 Part Number

极数(Poles)	型号(Model)
02	TLPHC-200V-02P(TLPHC-300V-02P)
:	:
24	TLPHC-200V-24P(TLPHC-300V-24P)

TLPHC-400V(TLPHC-500V)



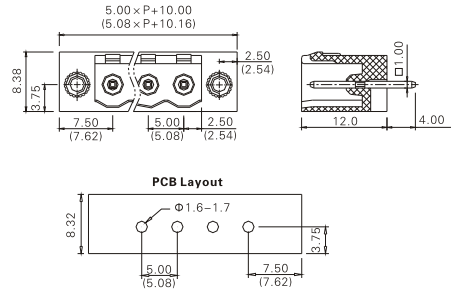
技术数据 Technical data

Pitch (间距):	7.50mm(7.62mm)
Approval (认证):	Applying
Rated voltage (电压):	300V 250V
Rated current (电流):	12A 12A
PCB hole Dia(PCB直径):	$\Phi 1.6-1.7$ mm

料号 Part Number

极数(Poles)	型号(Model)
02	TLPHC-400V-02P(TLPHC-500V-02P)
:	:
24	TLPHC-400V-24P(TLPHC-500V-24P)

TLPHW-200V(TLPHW-300V)



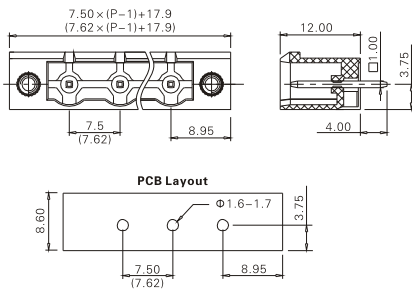
技术数据 Technical data

Pitch (间距):	5.00mm(5.08mm)
Approval (认证):	Applying
Rated voltage (电压):	300V 150V
Rated current (电流):	12A 12A
PCB hole Dia(PCB直径):	$\Phi 1.6-1.7$ mm

料号 Part Number

极数(Poles)	型号(Model)
02	TLPHW-200V-02P(TLPHW-300V-02P)
:	:
24	TLPHW-200V-24P(TLPHW-300V-24P)

TLPHW-400V(TLPHW-500V)



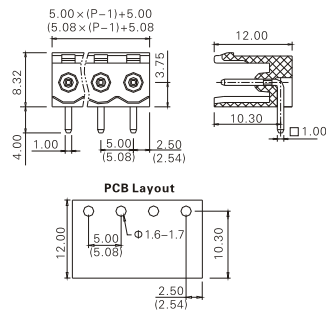
技术数据 Technical data

Pitch (间距):	7.50mm(7.62mm)
Approval (认证):	Applying
Rated voltage (电压):	300V
Rated current (电流):	12A
PCB hole Dia(PCB直径):	$\Phi 1.6-1.7$ mm

料号 Part Number

Poles(极数)	Model(型号)
02	TLPHW-400V-02P(TLPHW-500V-02P)
:	:
24	TLPHW-400V-24P(TLPHW-500V-24P)

TLPH-200R(TLPH-300R)



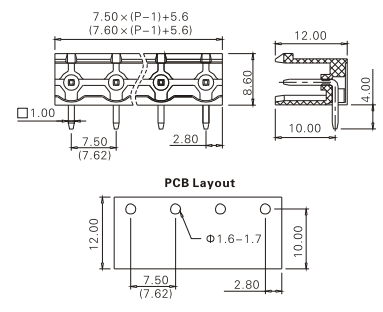
技术数据 Technical data

Pitch (间距):	5.00mm(5.08mm)
Approval (认证):	Applying
Rated voltage (电压):	300V 250V
Rated current (电流):	12A 12A
PCB hole Dia(PCB直径):	$\Phi 1.6-1.7$ mm

料号 Part Number

极数(Poles)	型号(Model)
02	TLPH-200R-02P(TLPH-300R-02P)
:	:
24	TLPH-200R-24P(TLPH-300R-24P)

TLPH-400R(TLPH-500R)



技术数据 Technical data

Pitch (间距):	7.50mm(7.62mm)
Approval (认证):	Applying
Rated voltage (电压):	300V
Rated current (电流):	12A
PCB hole Dia(PCB直径):	$\Phi 1.6-1.7$ mm

料号 Part Number

极数(Poles)	型号(Model)
02	TLPH-400R-02P(TLPH-500R-02P)
:	:
24	TLPH-400R-24P(TLPH-500R-24P)