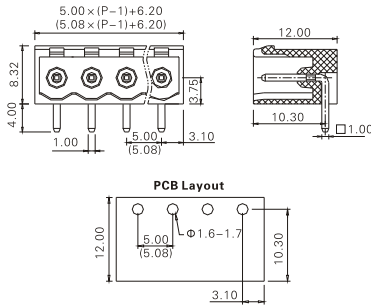
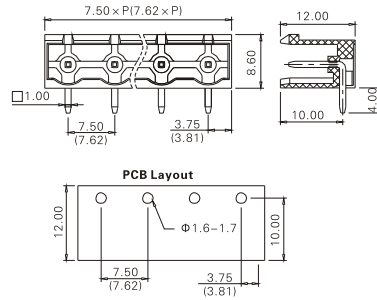


**TLPHC-200R(TLPHC-300R)**

**技术数据 Technical data**

Pitch (间距):	5.00mm(5.08mm)
Approval (认证):	Applying
Rated voltage (电压):	300V 250V
Rated current (电流):	12A 12A
PCB hole Dia(PCB直径):	Φ 1.6-1.7mm

**料号 Part Number**

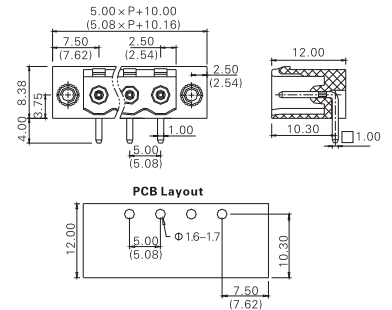
极数(Poles)	型号(Model)
02	TLPHC-200R(TLPHC-300R-02P)
:	:
24	TLPHC-200R(TLPHC-300R-24P)

**TLPHC-400R(TLPHC-500R)**

**技术数据 Technical data**

Pitch (间距):	7.50mm(7.62mm)
Approval (认证):	Applying
Rated voltage (电压):	300V
Rated current (电流):	12A
PCB hole Dia(PCB直径):	Φ 1.6-1.7mm

**料号 Part Number**

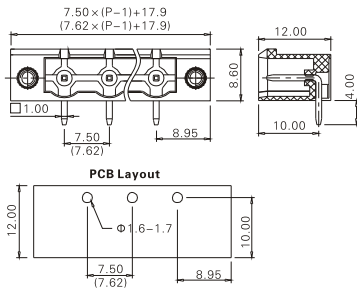
极数(Poles)	型号(Model)
02	TLPHC-400R-02P(TLPHC-500R-02P)
:	:
24	TLPHC-400R-24P(TLPHC-500R-24P)

**TLPHW-200R(TLPHW-300R)**

**技术数据 Technical data**

Pitch (间距):	5.00mm(5.08mm)
Approval (认证):	Applying
Rated voltage (电压):	300V 250V
Rated current (电流):	12A 12A
PCB hole Dia(PCB直径):	Φ 1.6-1.7mm

**料号 Part Number**

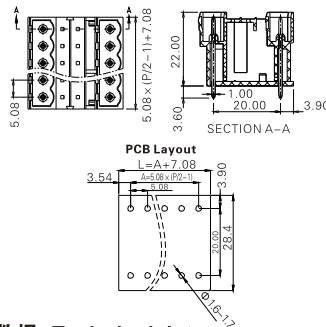
极数(Poles)	型号(Model)
02	TLPHW-200R-02P(TLPHW-300R-02P)
:	:
24	TLPHW-200R-24P(TLPHW-300R-24P)

**TLPHW-400R(TLPHW-500R)**

**技术数据 Technical data**

Pitch (间距):	7.50mm(7.62mm)
Approval (认证):	Applying
Rated voltage (电压):	300V
Rated current (电流):	12A
PCB hole Dia(PCB直径):	Φ 1.6-1.7mm

**料号 Part Number**

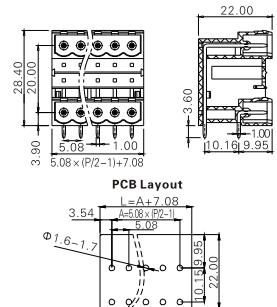
极数(Poles)	型号(Model)
02	TLPHW-400R-02P(TLPHW-500R-02P)
:	:
24	TLPHW-400R-24P(TLPHW-500R-24P)

**TLPHDC-300V**

**技术数据 Technical data**

Pitch (间距):	5.08mm
Approval (认证):	Applying
Rated voltage (电压):	300V
Rated current (电流):	15A
PCB hole Dia(PCB直径):	Φ 1.6-1.7mm

**料号 Part Number**

极数(Poles)	型号(Model)
04	TLPHDC-300V-04P
:	:
48	TLPHDC-300V-48P

**TLPHDC-300R**

**技术数据 Technical data**

Pitch (间距):	5.08mm
Approval (认证):	Applying
Rated voltage (电压):	300V
Rated current (电流):	15A
PCB hole Dia(PCB直径):	Φ 1.6-1.7mm

**料号 Part Number**

极数(Poles)	型号(Model)
04	TLPHDC-300R-04P
:	:
48	TLPHDC-300R-48P