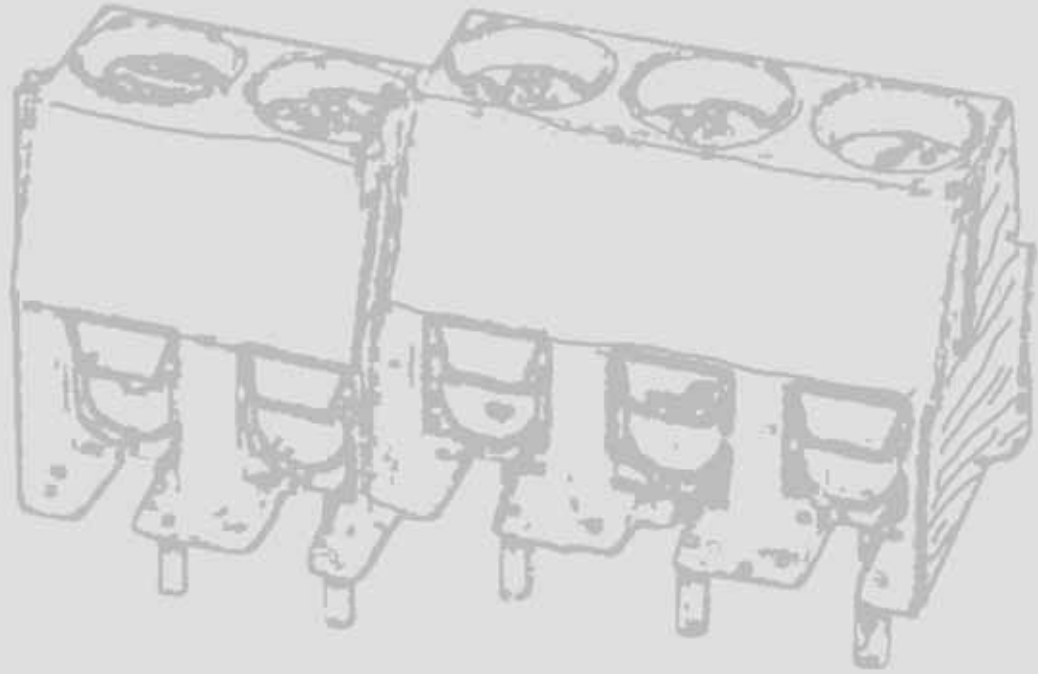


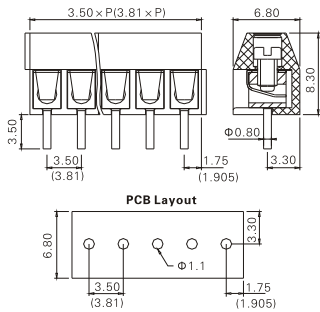
TL SERIES-Wire Protector



HOW TO ORDER (TL 系列订货号)

Series No.	Pitch	Part Number	Profile	Poles	Spacing	Color	Screw Type
TL	<input type="checkbox"/>	<input type="checkbox"/> <input type="checkbox"/>	<input type="checkbox"/> -	<input type="checkbox"/> <input type="checkbox"/> P	<input type="checkbox"/>	<input type="checkbox"/>	<input type="checkbox"/>
系列号	间距	区分号	角度	位数	间距	颜色	螺丝
0=3.50mm 1=3.81mm 2=5.00mm 3=5.08mm 4=7.50mm			V=180° R=90° Empty=45°	02 03 04 : 24	5=Double Pitch (双倍间距) Empty=Single Pitch (单倍间距)	M=Gray(灰色) K=Black(黑色) L=Blue(蓝色) G=Green(绿色) B=Beige(米色)	S=Slot ⊖ C=Cross ⊕

TL001V(TL100V)



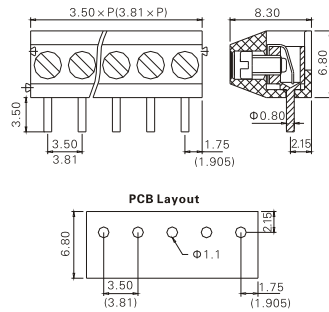
技术数据 Technical data

Pitch (间距):	3.50mm(3.81mm)	
Approval (认证):	UL US CE CCC	
Rated voltage (电压):	300V	130V(250V)
Rated current (电流):	6A	6A
Wire range (线径):	24-16AWG 1.5mm ²	
PCB hole Dia(PCB直径):	Φ 1.1mm	
Screw (螺丝):	M2	

料号 Part Number

极数(Poles)	型号(Model)
02	TL001V-02P(TL100V-02P)
:	:
24	TL001V-24P(TL100V-24P)

TL001R(TL100R)



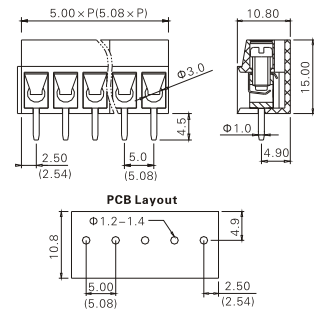
技术数据 Technical data

Pitch (间距):	3.50mm(3.81mm)	
Approval (认证):	UL US CE CCC	
Rated voltage (电压):	300V	130V(250V)
Rated current (电流):	6A	6A
Wire range (线径):	24-16AWG 1.5mm ²	
PCB hole Dia(PCB直径):	Φ 1.1mm	
Screw (螺丝):	M2	

料号 Part Number

极数(Poles)	型号(Model)
02	TL001R-02P(TL100R-02P)
:	:
24	TL001R-24P(TL100R-24P)

TL200V(TL300V)



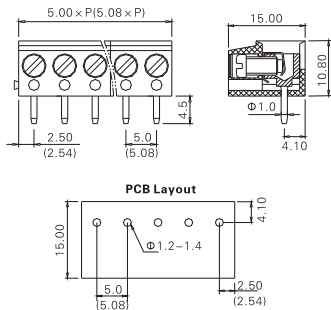
技术数据 Technical data

Pitch (间距):	5.00mm(5.08mm)	
Approval (认证):	UL US CE CCC	
Rated voltage (电压):	300V	250V
Rated current (电流):	16A	24A
Wire range (线径):	22-14AWG 2.5mm ²	
PCB hole Dia(PCB直径):	Φ 1.2-1.4mm	
Screw (螺丝):	M3	

料号 Part Number

极数(Poles)	型号(Model)
02	TL200V-02P(TL300V-02P)
:	:
24	TL200V-24P(TL300V-24P)

TL200R(TL300R)



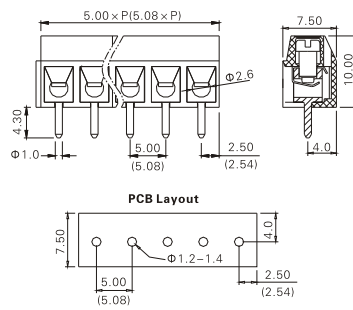
技术数据 Technical data

Pitch (间距):	5.00mm(5.08mm)	
Approval (认证):	UL US CE CCC	
Rated voltage (电压):	300V	250V
Rated current (电流):	16A	24A
Wire range (线径):	22-14AWG 2.5mm ²	
PCB hole Dia(PCB直径):	Φ 1.2-1.4mm	
Screw (螺丝):	M3	

料号 Part Number

Poles(极数)	Model(型号)
02	TL200R-02P(TL300R-02P)
:	:
24	TL200R-24P(TL300R-24P)

TL201V(TL301V)



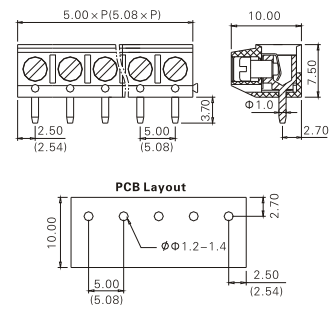
技术数据 Technical data

Pitch (间距):	5.00mm(5.08mm)	
Approval (认证):	UL US CE CCC	
Rated voltage (电压):	300V	250V
Rated current (电流):	16A	16A
Wire range (线径):	20-14AWG (22-14AWG) 2.5mm ²	
PCB hole Dia(PCB直径):	Φ 1.2-1.4mm	
Screw (螺丝):	M2.5	

料号 Part Number

极数(Poles)	型号(Model)
02	TL201V-02P(TL301V-02P)
:	:
24	TL201V-24P(TL301V-24P)

TL201R(TL301R)

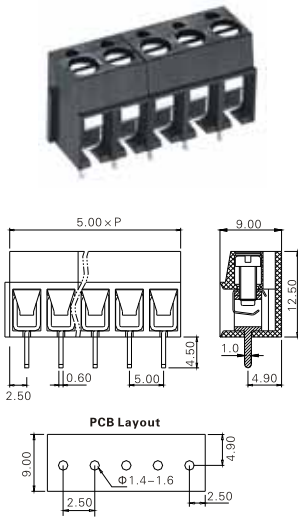


技术数据 Technical data

Pitch (间距):	5.00mm(5.08mm)	
Approval (认证):	UL US CE CCC	
Rated voltage (电压):	300V	130V
Rated current (电流):	16A	16A
Wire range (线径):	20-14AWG (22-14AWG) 2.5mm ²	
PCB hole Dia(PCB直径):	Φ 1.2-1.4mm	
Screw (螺丝):	M2.5	

料号 Part Number

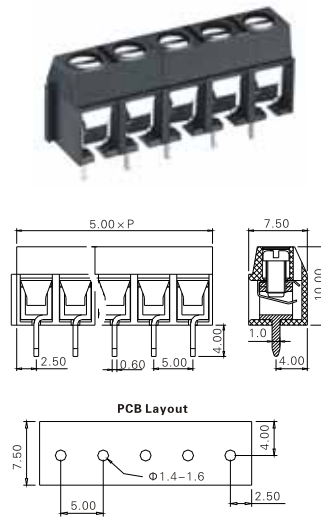
极数(Poles)	型号(Model)
02	TL201R-02P(TL301R-02P)
:	:
24	TL201R-24P(TL301R-24P)

TL202V

技术数据 Technical data

Pitch (间距):	5.00mm	
Approval (认证):	UL US CCC	
Rated voltage (电压):	300V	250V
Rated current (电流):	16A	16A
Wire range (线径):	22-12AWG	4.0mm ²
PCB hole Dia(PCB直径):	Φ 1.4-1.6mm	
Screw (螺丝):	M2.5	

料号 Part Number

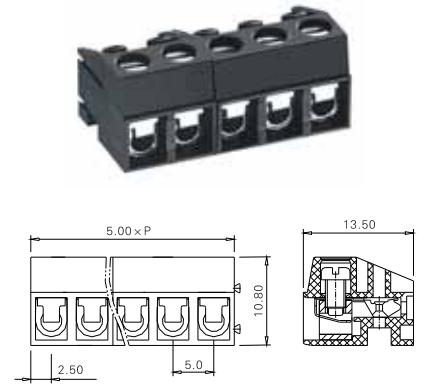
极数(Poles)	型号(Model)
02	TL202V-02P
:	:
24	TL202V-24P

TL203V

技术数据 Technical data

Pitch (间距):	5.00mm	
Approval (认证):	UL US CE CCC	
Rated voltage (电压):	300V	250V
Rated current (电流):	16A	16A
Wire range (线径):	26-12AWG	2.5mm ²
PCB hole Dia(PCB直径):	Φ 1.4-1.6mm	
Screw (螺丝):	M2.5	

料号 Part Number

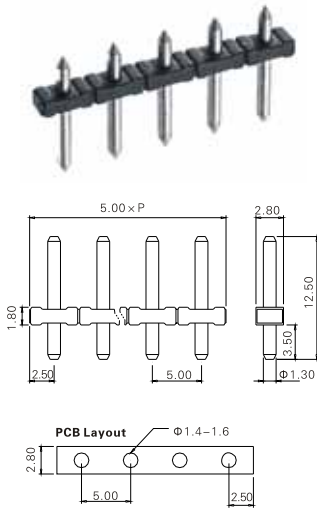
极数(Poles)	型号(Model)
02	TL203V-02P
:	:
24	TL203V-24P

TL205T

技术数据 Technical data

Pitch (间距):	5.00mm	
Approval (认证):	UL US	
Rated voltage (电压):	300V	300V
Rated current (电流):	10A	10A
Wire range (线径):	20-14AWG	4.0mm ²
Screw (螺丝):	M2.5	

料号 Part Number

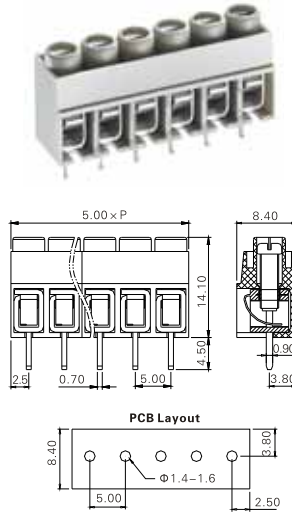
极数(Poles)	型号(Model)
02	TL205T-02P
:	:
24	TL205T-24P

TL205P

技术数据 Technical data

Pitch (间距):	5.00mm	
Approval (认证):	UL US	
Rated voltage (电压):	300V	250V
Rated current (电流):	10A	10A
PCB hole Dia(PCB直径):	Φ 1.4-1.6mm	

料号 Part Number

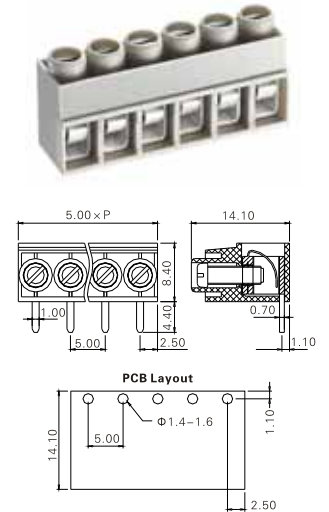
极数(Poles)	型号(Model)
02	TL205P-02P
:	:
24	TL205P-24P

TL209V

技术数据 Technical data

Pitch (间距):	5.00mm	
Approval (认证):	UL US CCC	
Rated voltage (电压):	250V	250V
Rated current (电流):	15A	15A
Wire range (线径):	22-12AWG	4.0mm ²
PCB hole Dia(PCB直径):	Φ 1.4-1.6mm	
Screw (螺丝):	M2.5	

料号 Part Number

极数(Poles)	型号(Model)
02	TL209V-02P
:	:
24	TL209V-24P

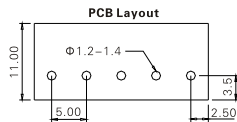
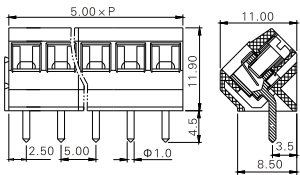
TL209R

技术数据 Technical data

Pitch (间距):	5.00mm	
Approval (认证):	UL US CCC	
Rated voltage (电压):	250V	250V
Rated current (电流):	15A	15A
Wire range (线径):	22-12AWG	4.0mm ²
PCB hole Dia(PCB直径):	Φ 1.4-1.6mm	
Screw (螺丝):	M2.5	

料号 Part Number

极数(Poles)	型号(Model)
02	TL209R-02P
:	:
24	TL209R-24P

TL210



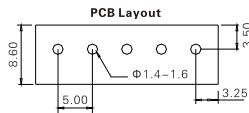
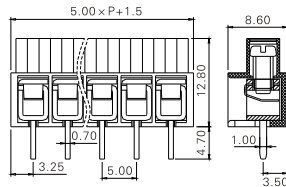
技术数据 Technical data

Pitch (间距):	5.00mm
Approval (认证):	UL US
Rated voltage (电压):	300V
Rated current (电流):	15A
Wire range (线径):	22-14AWG
PCB hole Dia(PCB直径):	Φ 1.2-1.4mm
Screw (螺丝):	M2.5

料号 Part Number

极数(Poles)	型号(Model)
02	TL210-02P
:	:
24	TL210-24P

TL216



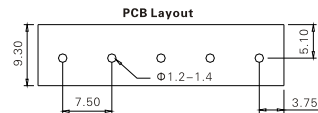
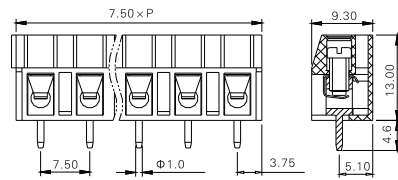
技术数据 Technical data

Pitch (间距):	5.00mm
Approval (认证):	UL US CE CCC
Rated voltage (电压):	300V 450V
Rated current (电流):	12A 12A
Wire range (线径):	18-12AWG 4.0mm ²
PCB hole Dia(PCB直径):	Φ 1.4-1.6mm
Screw (螺丝):	M3

料号 Part Number

极数(Poles)	型号(Model)
02	TL216-02P
:	:
24	TL216-24P

TL400V



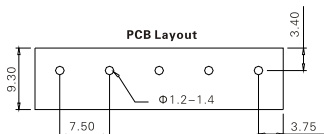
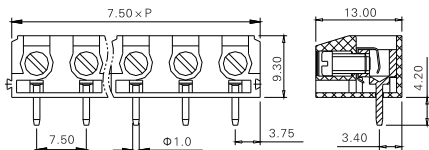
技术数据 Technical data

Pitch (间距):	7.50mm
Approval (认证):	UL US CE CCC
Rated voltage (电压):	300V 450V
Rated current (电流):	16A 24A
Wire range (线径):	22-14AWG 2.5mm ²
PCB hole Dia(PCB直径):	Φ 1.2-1.4mm
Screw (螺丝):	M3

料号 Part Number

极数(Poles)	型号(Model)
02	TL400V-02P
:	:
24	TL400V-24P

TL400R



技术数据 Technical data

Pitch (间距):	7.50mm
Approval (认证):	UL US CE CCC
Rated voltage (电压):	300V 450V
Rated current (电流):	16A 24A
Wire range (线径):	22-14AWG 2.5mm ²
PCB hole Dia(PCB直径):	Φ 1.2-1.4mm
Screw (螺丝):	M3

料号 Part Number

Poles(极数)	Model(型号)
02	TL400R-02P
:	:
24	TL400R-24P