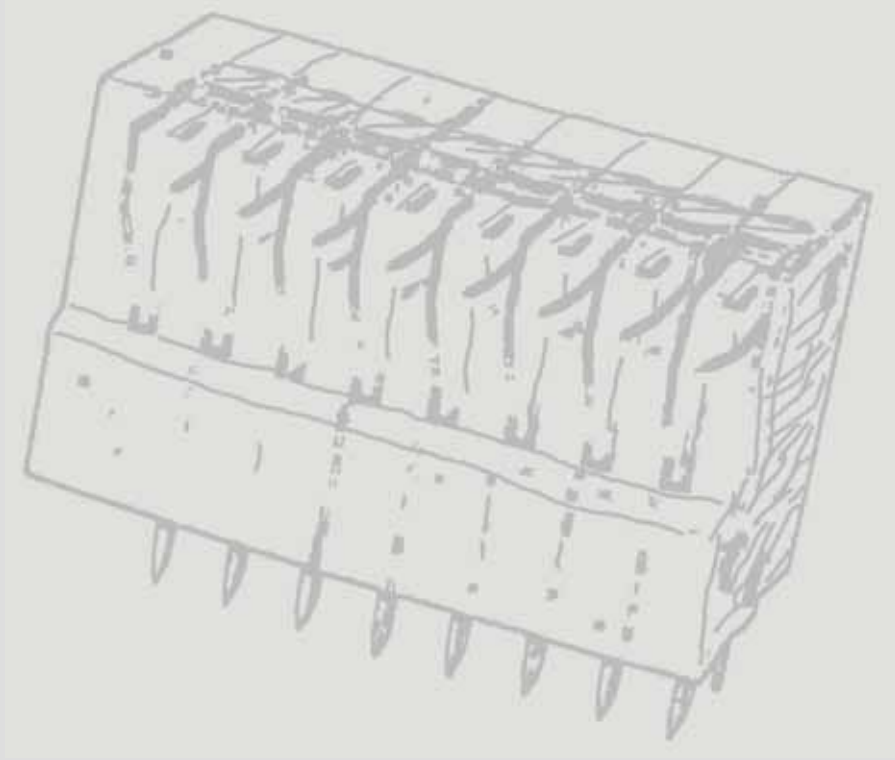


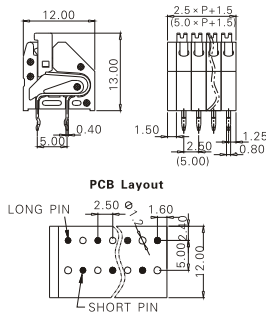
TLM SERIES-Screwless Type



HOW TO ORDER (TLM 系列订货号)

Series No.	Part Number	Profile	Poles	Spacing	Color
TLM	□□□	□	- □□	P □	□
系列号	区分号	角度	位数	间距	颜色
		V=180° R=90° Empty=45° C=Long pin close to side cover (长针靠边盖) D=Short pin close to side cover (短针靠边盖)	01 02 03 04 : 24	5=Double Pitch (双倍间距) Empty=Single Pitch (单倍间距)	M=Gray(灰色) K=Black(黑色) L=Blue(蓝色) G=Green(绿色) B=Beige(米色)

TLM-250C(TLM-250C-XP5)



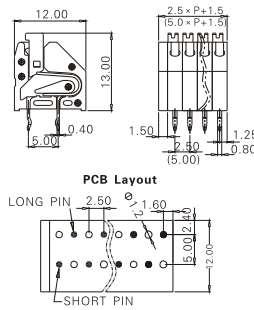
技术数据 Technical data

Pitch (间距):	2.5mm(5.00mm)
Approval (认证):	
Rated voltage (电压):	250V 250V
Rated current (电流):	2A 2A
Wire range (线径):	20AWG 0.5mm ²
PCB hole Dia(PCB直径):	Φ 1.2mm

料号 Part Number

极数(Poles)	型号(Model)
02	TLM-250C-02P(TLM-250C-02P5)
:	:
24	TLM-250C-24P(TLM-250C-24P5)

TLM-250D(TLM-250D-XP5)



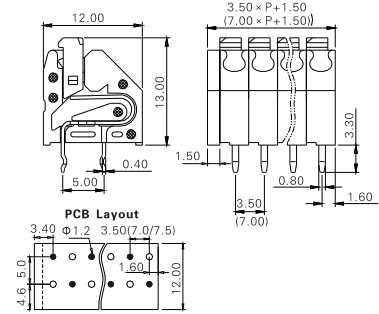
技术数据 Technical data

Pitch (间距):	2.5mm(5.00mm)
Approval (认证):	
Rated voltage (电压):	250V 250V
Rated current (电流):	2A 2A
Wire range (线径):	20AWG 0.5mm ²
PCB hole Dia(PCB直径):	Φ 1.2mm

料号 Part Number

极数(Poles)	型号(Model)
02	TLM-250D-02P(TLM-250D-02P5)
:	:
24	TLM-250D-24P(TLM-250D-24P5)

TLM-002C(TLM-002C-XP5)



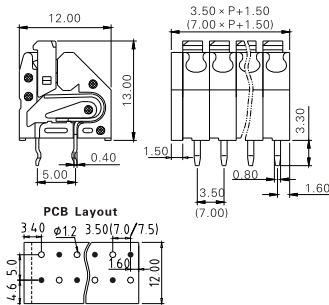
技术数据 Technical data

Pitch (间距):	3.50mm(7.0mm)
Approval (认证):	
Rated voltage (电压):	250V 250V
Rated current (电流):	2A 2A
Wire range (线径):	22-14AWG 0.75mm ²
PCB hole Dia(PCB直径):	Φ 1.2mm

料号 Part Number

极数(Poles)	型号(Model)
02	TLM-002C-02P(TLM-002C-02P5)
:	:
24	TLM-002C-24P(TLM-002C-24P5)

TLM-002D(TLM-002D-XP5)



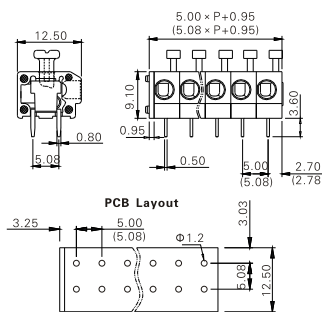
技术数据 Technical data

Pitch (间距):	3.50mm(7.0mm)
Approval (认证):	
Rated voltage (电压):	250V 250V
Rated current (电流):	2A 2A
Wire range (线径):	22-14AWG 0.75mm ²
PCB hole Dia(PCB直径):	Φ 1.2mm

料号 Part Number

Poles(极数)	Model(型号)
02	TLM-002D-02P(TLM-002D-02P5)
:	:
24	TLM-002D-24P(TLM-002D-24P5)

TLM-201R(TLM-301R)



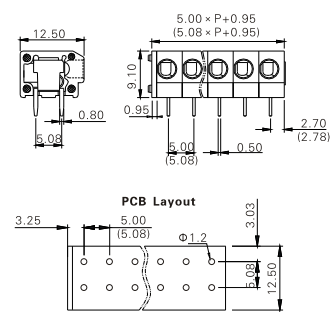
技术数据 Technical data

Pitch (间距):	5.00mm(5.08mm)
Approval (认证):	Applying
Rated voltage (电压):	300V
Rated current (电流):	10A
Wire range (线径):	20-14AWG
PCB hole Dia(PCB直径):	Φ 1.2mm

料号 Part Number

极数(Poles)	型号(Model)
02	TLM-201R-02P(TLM-301R-02P)
:	:
24	TLM-201R-24P(TLM-301R-24P)

TLM-202R(TLM-302R)

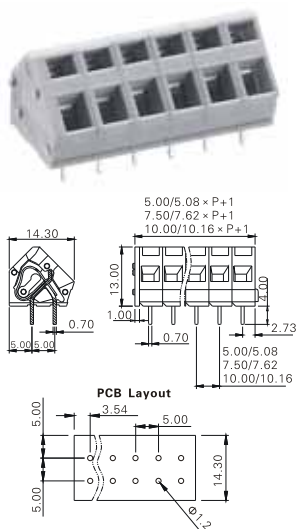


技术数据 Technical data

Pitch (间距):	5.00mm(5.08mm)
Approval (认证):	Applying
Rated voltage (电压):	300V
Rated current (电流):	10A
Wire range (线径):	20-14AWG
PCB hole Dia(PCB直径):	Φ 1.2mm

料号 Part Number

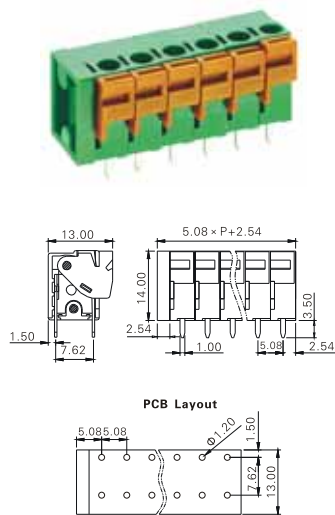
极数(Poles)	型号(Model)
02	TLM-202R-02P(TLM-302R-02P)
:	:
24	TLM-202R-24P(TLM-302R-24P)

TLM-203(TLM-303/TLM-403/TLM-503/TLM-703/TLM-803)

技术数据 Technical data

Pitch (间距):	5.00mm(5.08/7.5/7.62/10.00/10.16mm)
Approval (认证):	Applying
Rated voltage (电压):	300V
Rated current (电流):	15A
Wire range (线径):	28-12AWG
PCB hole Dia(PCB直径):	Φ 1.2mm

料号 Part Number

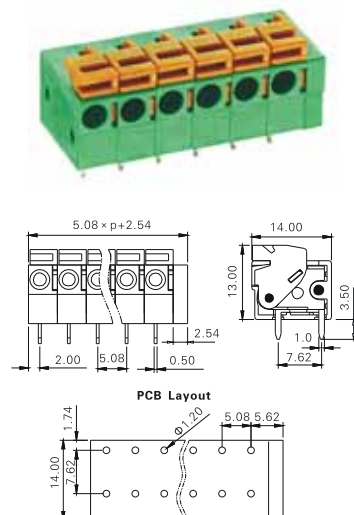
极数(Poles)	型号(Model)
02	TLM-203-02P .. TLM-803-02P
:	:
24	TLM-203-24P .. TLM-803-24P

TLM-300V

技术数据 Technical data

Pitch (间距):	5.08mm
Approval (认证):	UL
Rated voltage (电压):	300V
Rated current (电流):	10A
Wire range (线径):	22-14AWG
PCB hole Dia(PCB直径):	Φ 1.2mm

料号 Part Number

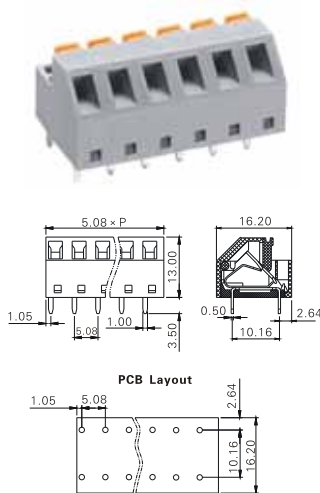
极数(Poles)	型号(Model)
02	TLM-300V-02P
:	:
24	TLM-300V-24P

TLM-300R

技术数据 Technical data

Pitch (间距):	5.08mm
Approval (认证):	UL
Rated voltage (电压):	300V
Rated current (电流):	10A
Wire range (线径):	22-14AWG
PCB hole Dia(PCB直径):	Φ 1.2mm

料号 Part Number

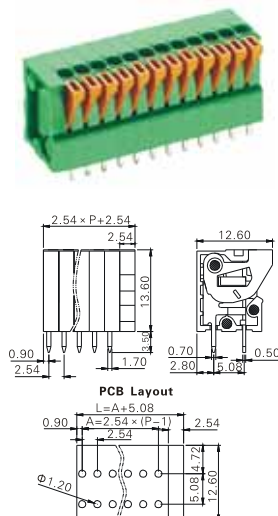
极数(Poles)	型号(Model)
02	TLM-300R-02P
:	:
24	TLM-300R-24P

TLM-304

技术数据 Technical data

Pitch (间距):	5.08mm
Approval (认证):	Applying
Rated voltage (电压):	300V
Rated current (电流):	12A
Wire range (线径):	22-14AWG
PCB hole Dia(PCB直径):	Φ 1.2mm

料号 Part Number

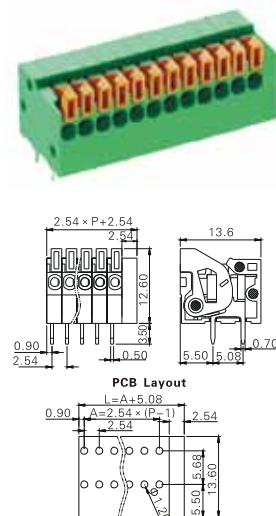
极数(Poles)	型号(Model)
02	TLM-304-02P
:	:
24	TLM-304-24P

TLM-900V

技术数据 Technical data

Pitch (间距):	2.54mm
Approval (认证):	UL
Rated voltage (电压):	150V
Rated current (电流):	2A
Wire range (线径):	26-20AWG
PCB hole Dia(PCB直径):	Φ 1.2mm

料号 Part Number

极数(Poles)	型号(Model)
02	TLM-900V-02P
:	:
24	TLM-900V-24P

TLM-900R

技术数据 Technical data

Pitch (间距):	2.54mm
Approval (认证):	UL
Rated voltage (电压):	150V
Rated current (电流):	2A
Wire range (线径):	26-20AWG
PCB hole Dia(PCB直径):	Φ 1.2mm

料号 Part Number

极数(Poles)	型号(Model)
02	TLM-900R-02P
:	:
24	TLM-900R-24P