



www.e/bag.net

APPLICATION NOTE

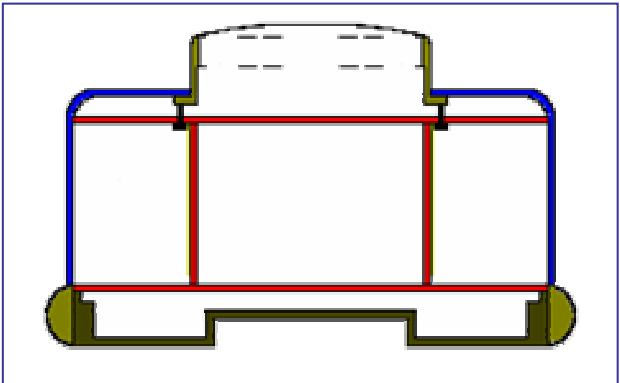
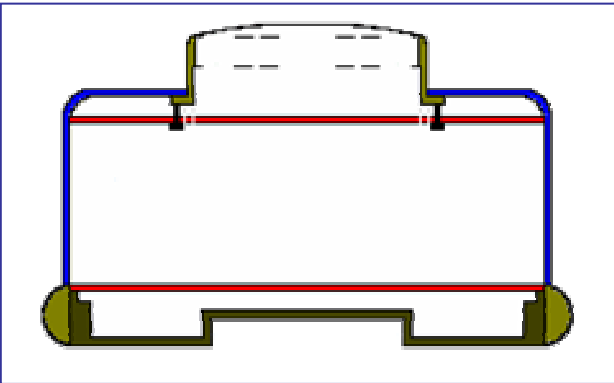
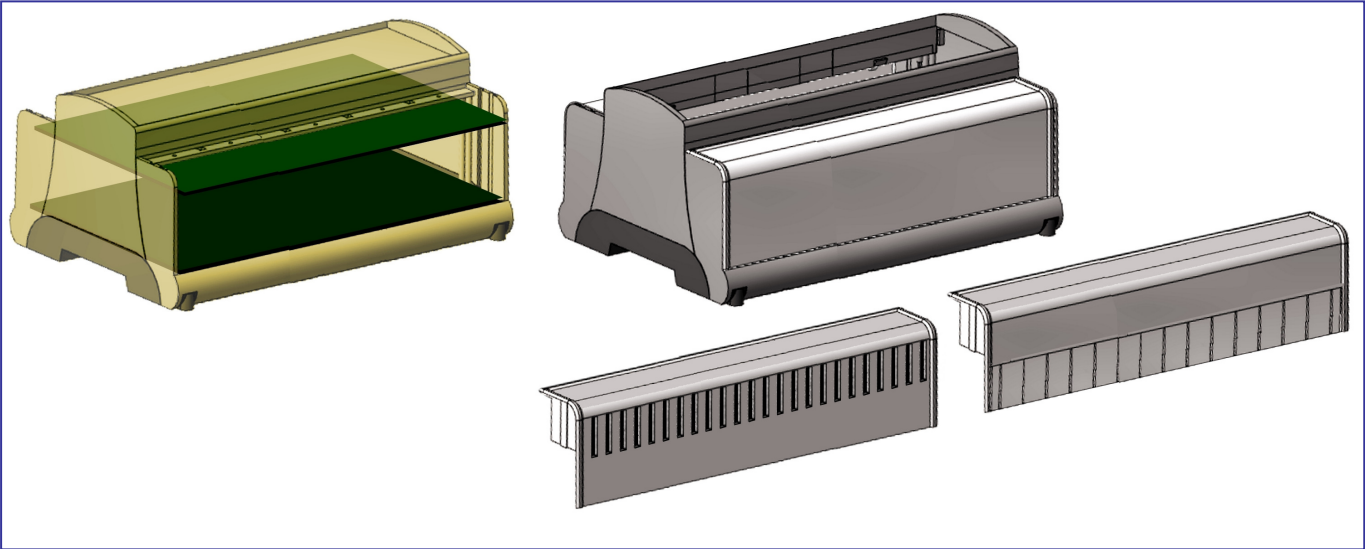
MR9/HD

The enclosure can house superimposed horizontal pcb's, with various width. The real dimensions are to be extracted by the PDF or DXF drawing. The enclosure has two additional guides for vertical pcb's.

Application with two pcb's having the same dimensions.

The lower and upper pcb can be equipped with fixed or extractable screw terminals.

The upper pcb can be fixed to the upper beam by means of screws, leaving the maximum possible space between the two pcb's, or it can be placed at any intermediate height.



The empty space between pcb's is 28 mm.

- pcb
- terminal cover





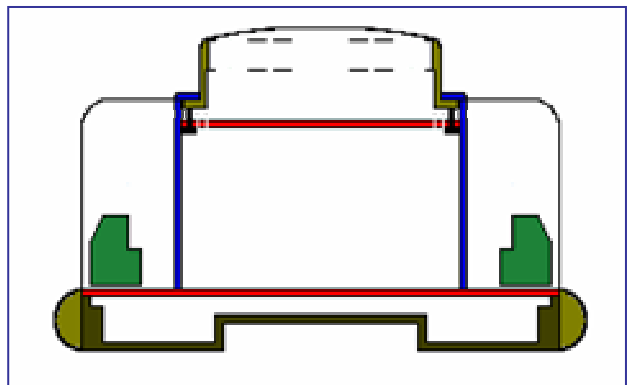
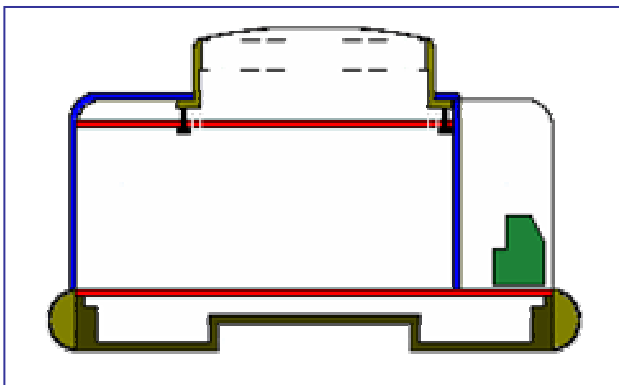
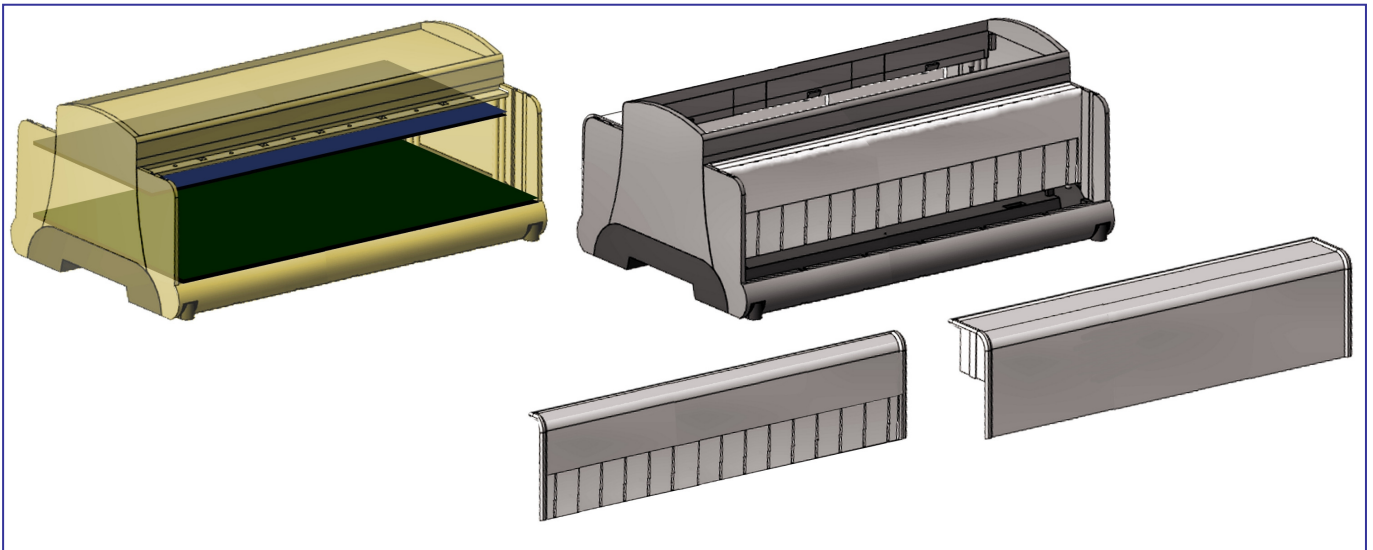
www.e/bag.net

APPLICATION NOTE

MR9/HD

Application with two pcb's having different dimensions, and with uncovered terminals.

The lower and upper pcb can be equipped with fixed or extractable screw terminals. The upper pcb can be fixed to the upper beam by means of screws, leaving the maximum possible space between the two pcb's, or it can be placed at any intermediate height.



The empty space between pcb's is 28 mm.

- pcb
- terminal cover
- terminal





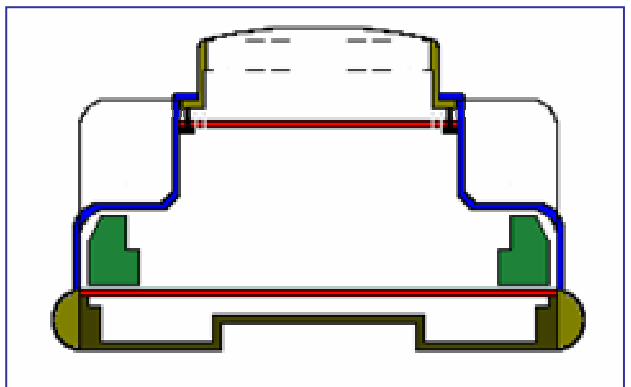
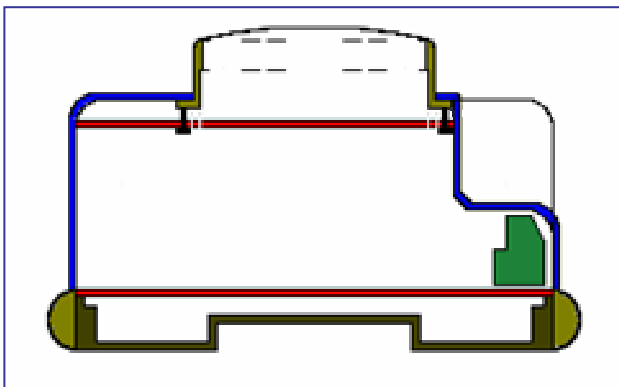
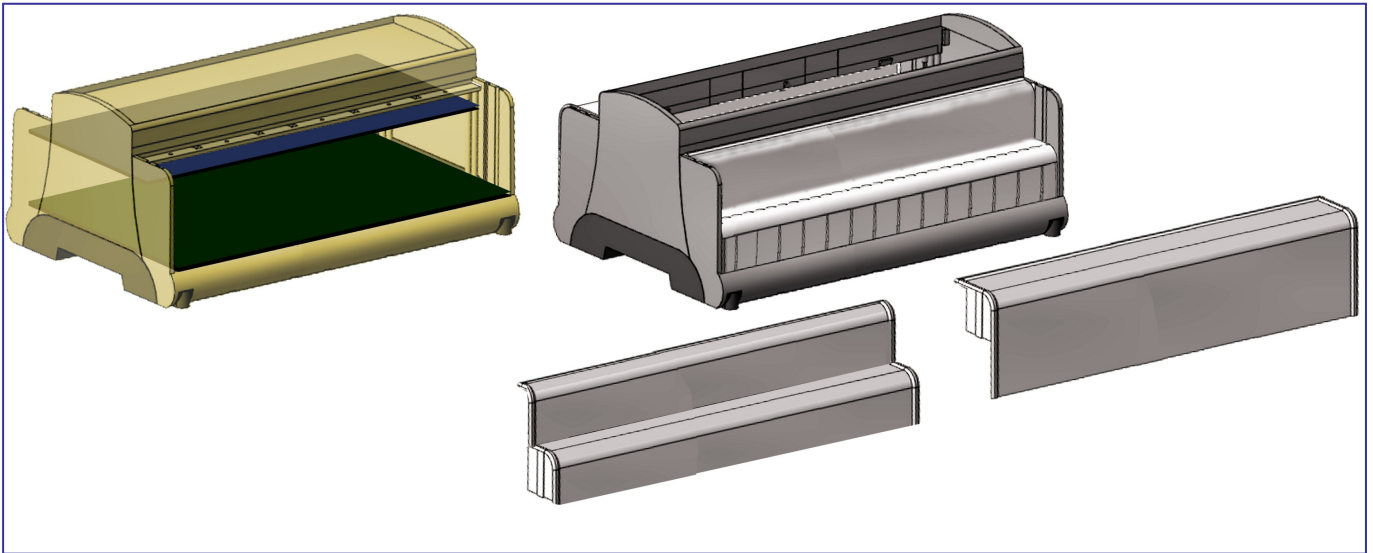
www.e/bag.net

APPLICATION NOTE

MR9/HD

Application with two pcb's having different dimensions, and with covered terminals.

The lower and upper pcb can be equipped with fixed or extractable screw terminals. The upper pcb can be fixed to the upper beam by means of screws, leaving the maximum possible space between the two pcb's, or it can be placed at any intermediate height.



The empty space between pcb's is 28 mm.

- pcb
- terminal cover
- terminal n

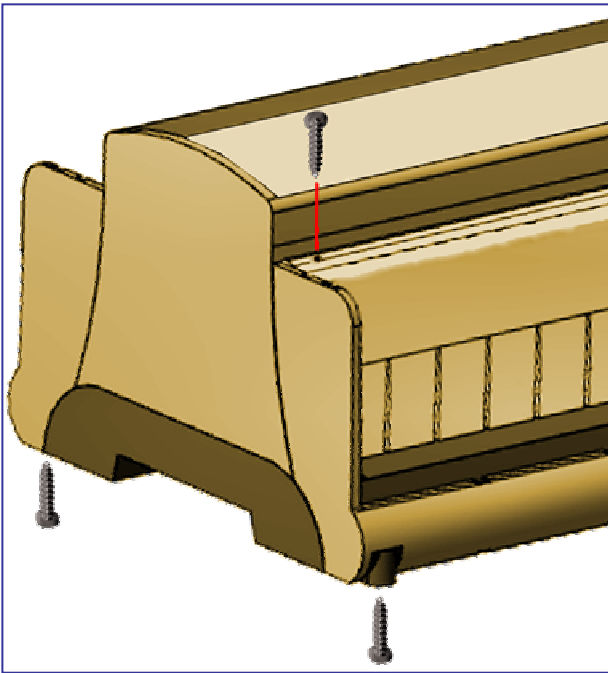




www.e/bag.net

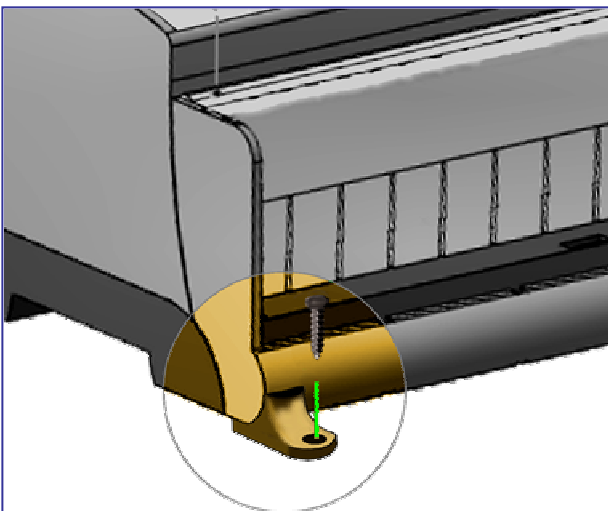
APPLICATION NOTE

MR9/HD



The base and the cover have a snap-on fastening. In addition to that, they can be fastened by means of screws.

The terminal covers have a groove joint. In addition In addition to that, they can be fastened by means of screws.



Up to four wall-mounting feet can be mounted under the base.