

TLB SERIES-Terminal Strip

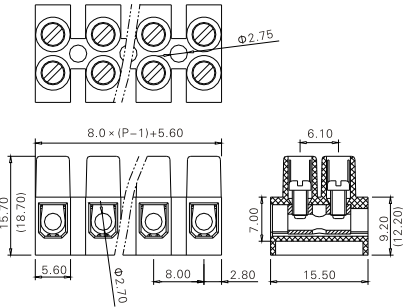


HOW TO ORDER (TLB 系列订货号)

Series No.	Pitch	Part Number	Base	Wire protector	Poles	Spacing	Color	Screw Type
TLB -	□	□□	□	□ -	□□	P □	□	□
系列号	间距	区分号	底部	弹片	位数	间距	颜色	螺丝
1=8.0mm 2=10.0mm 3=12.0mm 4=13.5mm 5=14.5mm 6=16.5mm	H=High Base (高底座) Empty=Flat Base (平底座)	W=With (带弹片) Empty=Without (不带弹片)	01 02 03 04 : 12	5=Double Pitch (双倍间距) Empty=Single Pitch (单倍间距)	T=Natural (自然色)	S=Slot ⊖ C=Cross ⊕		

Series No.	Part Number	Color	Screw Type
TLB -	□□	□	□
系列号	区分号	颜色	螺丝
		T=Natural (自然色)	S=Slot ⊖ C=Cross ⊕

TLB-100(TLB-100H)



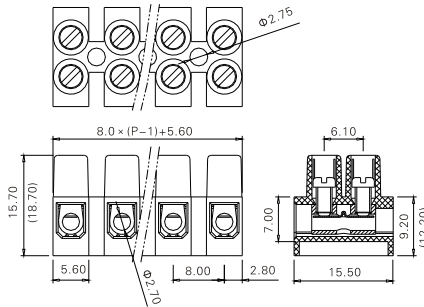
技术数据 Technical data

Pitch (间距):	8.00mm		
Approval (认证):	UL, CE, CCC		
Rated voltage (电压):	250V	450V	400V
Rated current (电流):	20A	32A	
Wire range (线径):	24-12AWG	4.0mm ²	4.0mm ²
Screw (螺丝):	M2.5		

料号 Part Number

极数(Poles)	型号(Model)
02	TLB-100-02P(TLB-100H-02P)
:	:
12	TLB-100-12P(TLB-100H-12P)

TLB-100W(TLB-100HW)



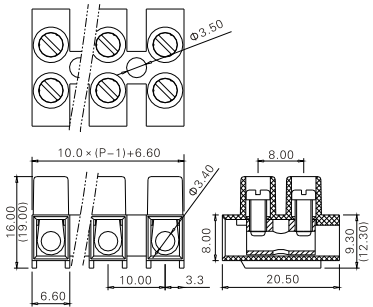
技术数据 Technical data

Pitch (间距):	8.00mm		
Approval (认证):	UL, CE, CCC		
Rated voltage (电压):	250V	450V	400V
Rated current (电流):	20A	24A	
Wire range (线径):	22-12AWG	2.5mm ²	1.5mm ²
Screw (螺丝):	M2.5		

料号 Part Number

极数(Poles)	型号(Model)
02	TLB-100W-02P(TLB-100HW-02P)
:	:
12	TLB-100W-12P(TLB-100HW-12P)

TLB-200(TLB-200H)



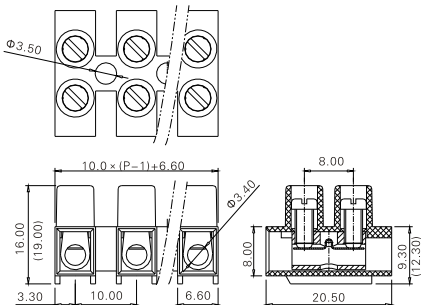
技术数据 Technical data

Pitch (间距):	10.00mm		
Approval (认证):	UL, CE, CCC		
Rated voltage (电压):	250V	450V	400V
Rated current (电流):	20A	41A	
Wire range (线径):	22-10AWG	6.0mm ²	6mm ²
Screw (螺丝):	M3		

料号 Part Number

极数(Poles)	型号(Model)
02	TLB-200-02P(TLB-200H-02P)
:	:
12	TLB-200-12P(TLB-200H-12P)

TLB-200W(TLB-200HW)



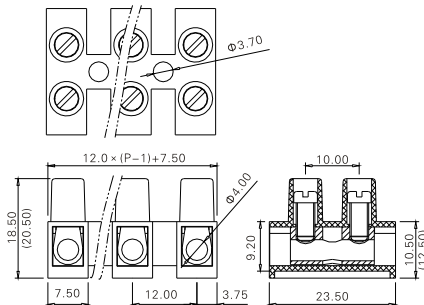
技术数据 Technical data

Pitch (间距):	10.00mm		
Approval (认证):	UL, CE, CCC		
Rated voltage (电压):	250V	450V	400V
Rated current (电流):	20A	32A	
Wire range (线径):	22-10AWG	4.0mm ²	2.5mm ²
Screw (螺丝):	M3		

料号 Part Number

Poles(极数)	Model(型号)
02	TLB-200W-02P(TLB-200HW-02P)
:	:
12	TLB-200W-12P(TLB-200HW-12P)

TLB-300(TLB-300H)



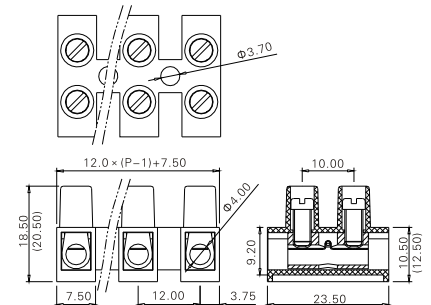
技术数据 Technical data

Pitch (间距):	12.00mm		
Approval (认证):	UL, CE, CCC		
Rated voltage (电压):	250V	750V	500V
Rated current (电流):	30A	57A	
Wire range (线径):	22-10AWG	10mm ²	10mm ²
Screw (螺丝):	M3.5		

料号 Part Number

极数(Poles)	型号(Model)
02	TLB-300-02P(TLB-300H-02P)
:	:
12	TLB-300-12P(TLB-300H-12P)

TLB-300W(TLB-300HW)

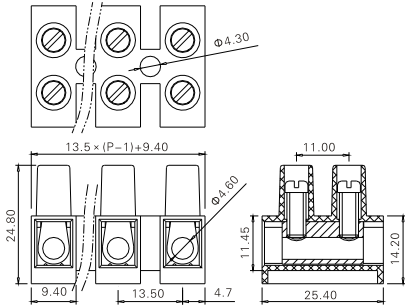


技术数据 Technical data

Pitch (间距):	12.00mm		
Approval (认证):	UL, CE, CCC		
Rated voltage (电压):	250V	750V	500V
Rated current (电流):	20A	41A	
Wire range (线径):	22-10AWG	6.0mm ²	4.0mm ²
Screw (螺丝):	M3.5		

料号 Part Number

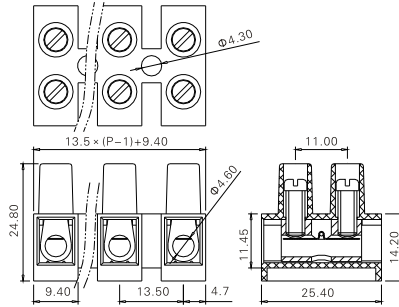
极数(Poles)	型号(Model)
02	TLB-300W-02P(TLB-300HW-02P)
:	:
12	TLB-300W-12P(TLB-300HW-12P)

TLB-400

技术数据 Technical data

Pitch (间距):	13.50mm
Approval (认证):	UL CE CCC
Rated voltage (电压):	250V 750V 500V
Rated current (电流):	30A 76A
Wire range (线径):	20-8AWG 16mm ² 16mm ²
Screw (螺丝):	M4

料号 Part Number

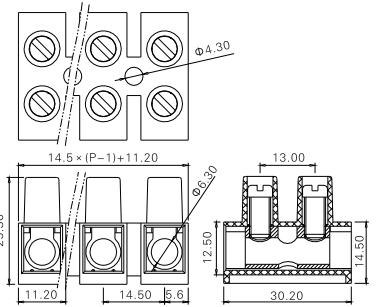
极数(Poles)	型号(Model)
02	TLB-400-02P
:	:
12	TLB-400-12P

TLB-400W

技术数据 Technical data

Pitch (间距):	13.50mm
Approval (认证):	UL CE CCC
Rated voltage (电压):	250V 750V 500V
Rated current (电流):	30A 57A
Wire range (线径):	20-8AWG 10mm ² 6.0mm ²
Screw (螺丝):	M4

料号 Part Number

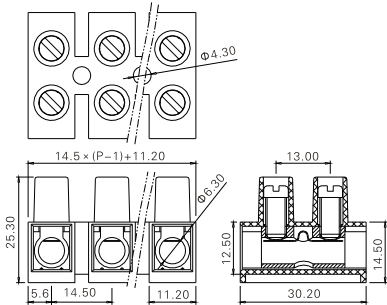
极数(Poles)	型号(Model)
02	TLB-400W-02P
:	:
12	TLB-400W-12P

TLB-500

技术数据 Technical data

Pitch (间距):	14.50mm
Approval (认证):	UL CE CCC
Rated voltage (电压):	250V 750V 500V
Rated current (电流):	30A 76A
Wire range (线径):	18-8AWG 16mm ² 16mm ²
Screw (螺丝):	M5

料号 Part Number

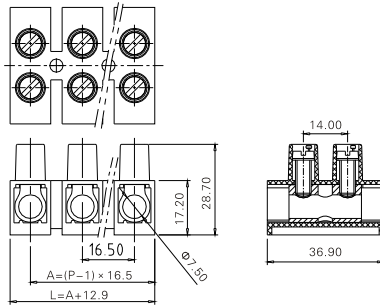
极数(Poles)	型号(Model)
02	TLB-500-02P
:	:
12	TLB-500-12P

TLB-500W

技术数据 Technical data

Pitch (间距):	14.50mm
Approval (认证):	UL CE CCC
Rated voltage (电压):	250V 750V 500V
Rated current (电流):	30A 76A
Wire range (线径):	18-8AWG 16mm ² 10mm ²
Screw (螺丝):	M5

料号 Part Number

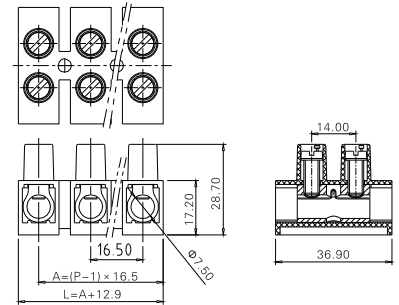
极数(Poles)	型号(Model)
02	TLB-500W-02P
:	:
12	TLB-500W-12P

TLB-600

技术数据 Technical data

Pitch (间距):	16.50mm
Approval (认证):	UL CE CCC
Rated voltage (电压):	600V
Rated current (电流):	85A
Wire range (线径):	16-4AWG
Screw (螺丝):	M5

料号 Part Number

极数(Poles)	型号(Model)
02	TLB-600-02P
:	:
12	TLB-600-12P

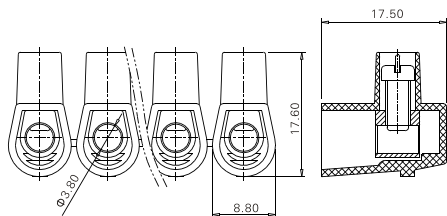
TLB-600W

技术数据 Technical data

Pitch (间距):	16.50mm
Approval (认证):	UL CE CCC
Rated voltage (电压):	600V
Rated current (电流):	85A
Wire range (线径):	16-4AWG
Screw (螺丝):	M5

料号 Part Number

极数(Poles)	型号(Model)
02	TLB-600W-02P
:	:
12	TLB-600W-12P

TLB-01



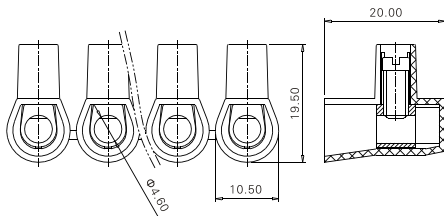
技术数据 Technical data

Approval (认证):	Applying
Rated voltage (电压):	450V
Rated current (电流):	24A
Wire range (线径):	2.5mm ²
Screw (螺丝):	M2

料号 Part Number

极数(Poles)	型号(Model)
01	TLB-01-01P
:	:
10	TLB-01-10P

TLB-02



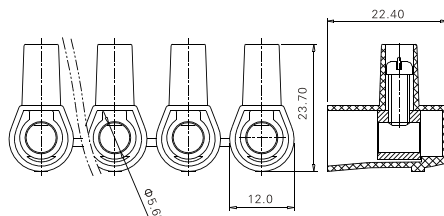
技术数据 Technical data

Approval (认证):	Applying
Rated voltage (电压):	450V
Rated current (电流):	32A
Wire range (线径):	4.0mm ²
Screw (螺丝):	M4

料号 Part Number

极数(Poles)	型号(Model)
01	TLB-02-01P
:	:
10	TLB-02-10P

TLB-03



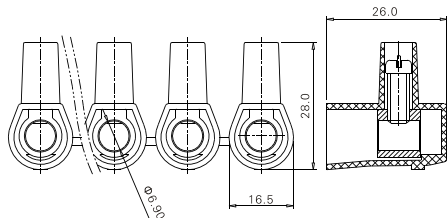
技术数据 Technical data

Approval (认证):	Applying
Rated voltage (电压):	450V
Rated current (电流):	41A
Wire range (线径):	6.0mm ²
Screw (螺丝):	M4

料号 Part Number

极数(Poles)	型号(Model)
01	TLB-03-01P
:	:
10	TLB-03-10P

TLB-04



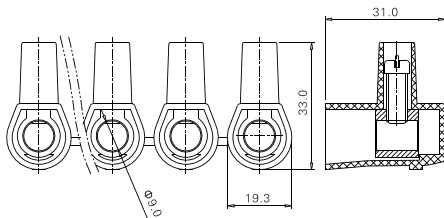
技术数据 Technical data

Approval (认证):	Applying
Rated voltage (电压):	450V
Rated current (电流):	57A
Wire range (线径):	10mm ²
Screw (螺丝):	M4.5

料号 Part Number

Poles(极数)	Model(型号)
01	TLB-04-01P
:	:
10	TLB-04-10P

TLB-05



技术数据 Technical data

Approval (认证):	Applying
Rated voltage (电压):	450V
Rated current (电流):	76A
Wire range (线径):	16mm ²
Screw (螺丝):	M5.5

料号 Part Number

极数(Poles)	型号(Model)
01	TLB-05-01P
:	:
10	TLB-05-10P