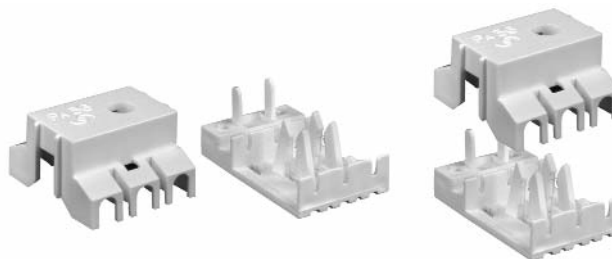


>> PA36 - PA37

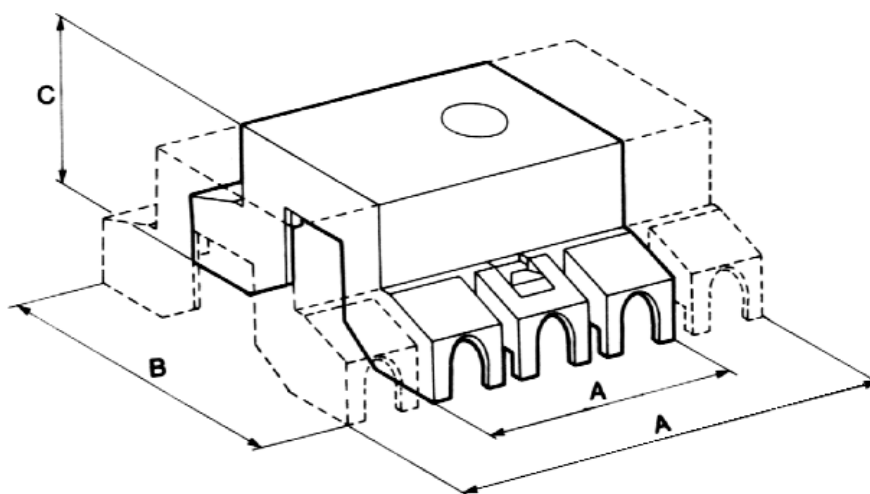
Cover for PA27 Pillar Terminal Block



Technical data

			A	B	C
Dimensions mm (inches)	PA36	2, 3 poles	31 (1.22")	31.6 (1.24")	18.2 (0.71")
	PA37	4, 5 poles	51 (2.00")	51.6 (2.03")	
Versions	PA36: 2, 3 poles / PA37: 4 poles, 5 poles				
Use	Snap on or screw fixing on PA27 Pillar Terminal Block (2 ÷ 5 poles); It can be used on Terminal Block holder PA228				
Working Temperature	- 5 ÷ 125°C (short time 155°C) - 23 ÷ 221°F				
Plastic Material	Polyamide, UL94 V2, GWIT 775°C, GWFI 850°C				

Dimensional drawing



I dati tecnici possono essere modificati senza preavviso. / The technical data can be subject to changes without notice.

